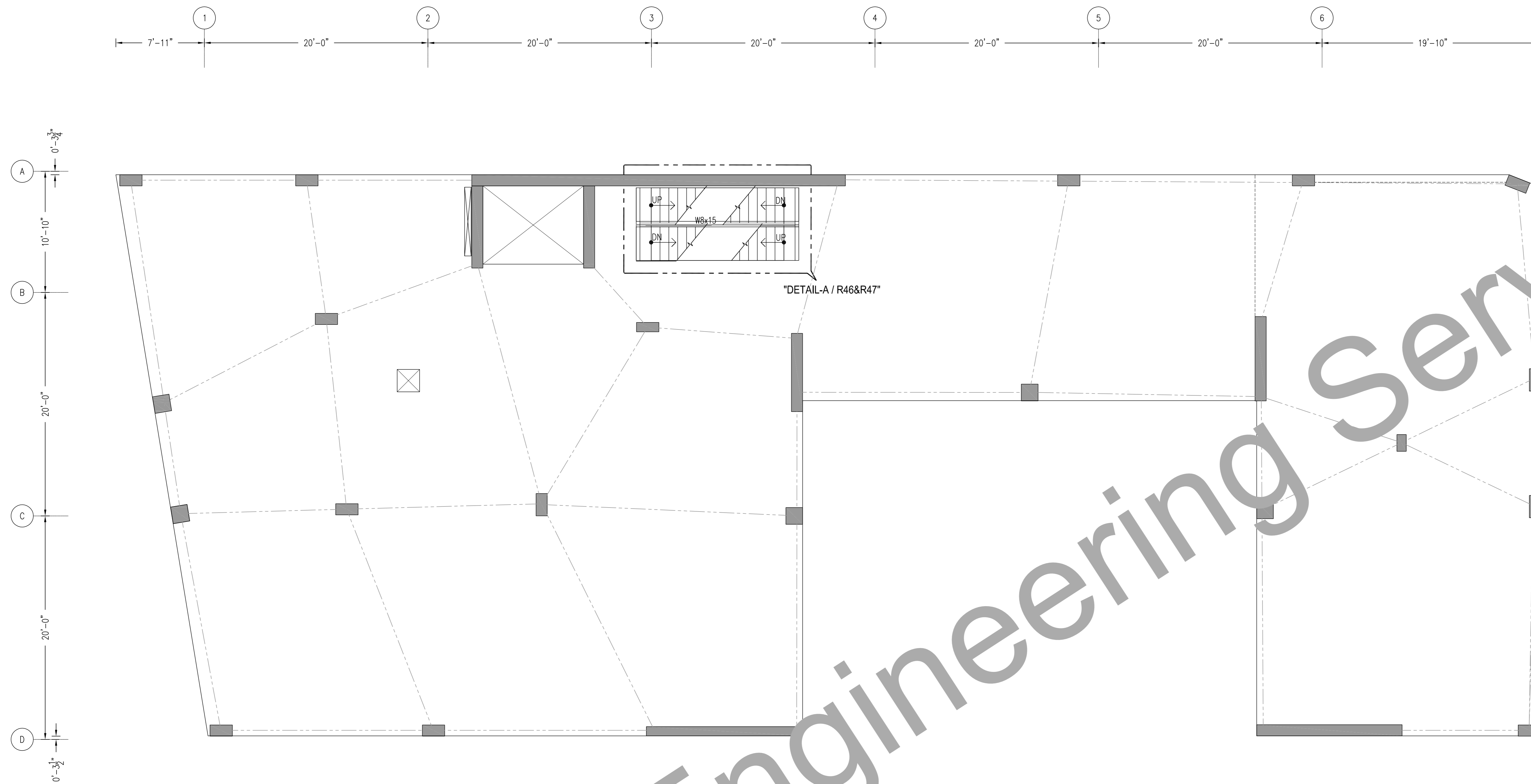


REINFORCING STEEL PLACING DRAWING ONLY USE IN CONJUNCTION WITH CONTRACT DRAWINGS & SPECIFICATIONS. ELEVATIONS & DIMENSIONS SHOWN ON DRAWING ARE FOR DETAILING PURPOSES ONLY AND SHOULD NOT BE USED FOR CONSTRUCTION UNLESS VERIFIED BY ENGINEER OR CONTRACTOR.



STAIR KEYPLAN LAYOUT

SCALE: 1/4"=1'-0"
SDR: S-001.00, S-100.00 - S-203.00 & A411.00

ELEVATION LEVEL TABLE	
FLOOR	LEVEL
2ND FLOOR	EL. +14'-0"
3RD FLOOR	EL. +24'-0"
4TH FLOOR	EL. +34'-0"
5TH FLOOR	EL. +44'-0"
6TH FLOOR	EL. +54'-0"
7TH FLOOR	EL. +64'-0"
8TH FLOOR	EL. +74'-0"
MAIN ROOF	EL. +84'-0"

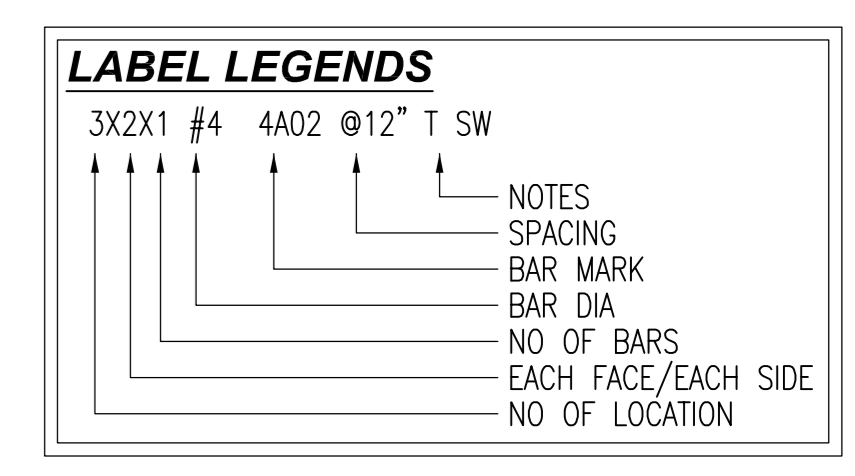
LAP NOTES:
LAP VALUES AS PER SHEET NO. S-001 & S-203

CLASS B LAP 6000 PSI		
TABLE 1A: 3/4" COVER FOR STAIR		
SIZE	TOP	OTHERS
#3	21"	16"
#4	26"	20"
#5	32"	24"
#6	38"	30"
#7	55"	49"
#8	69"	60"
#9	86"	73"
#10	103"	86"
#11	120"	99"

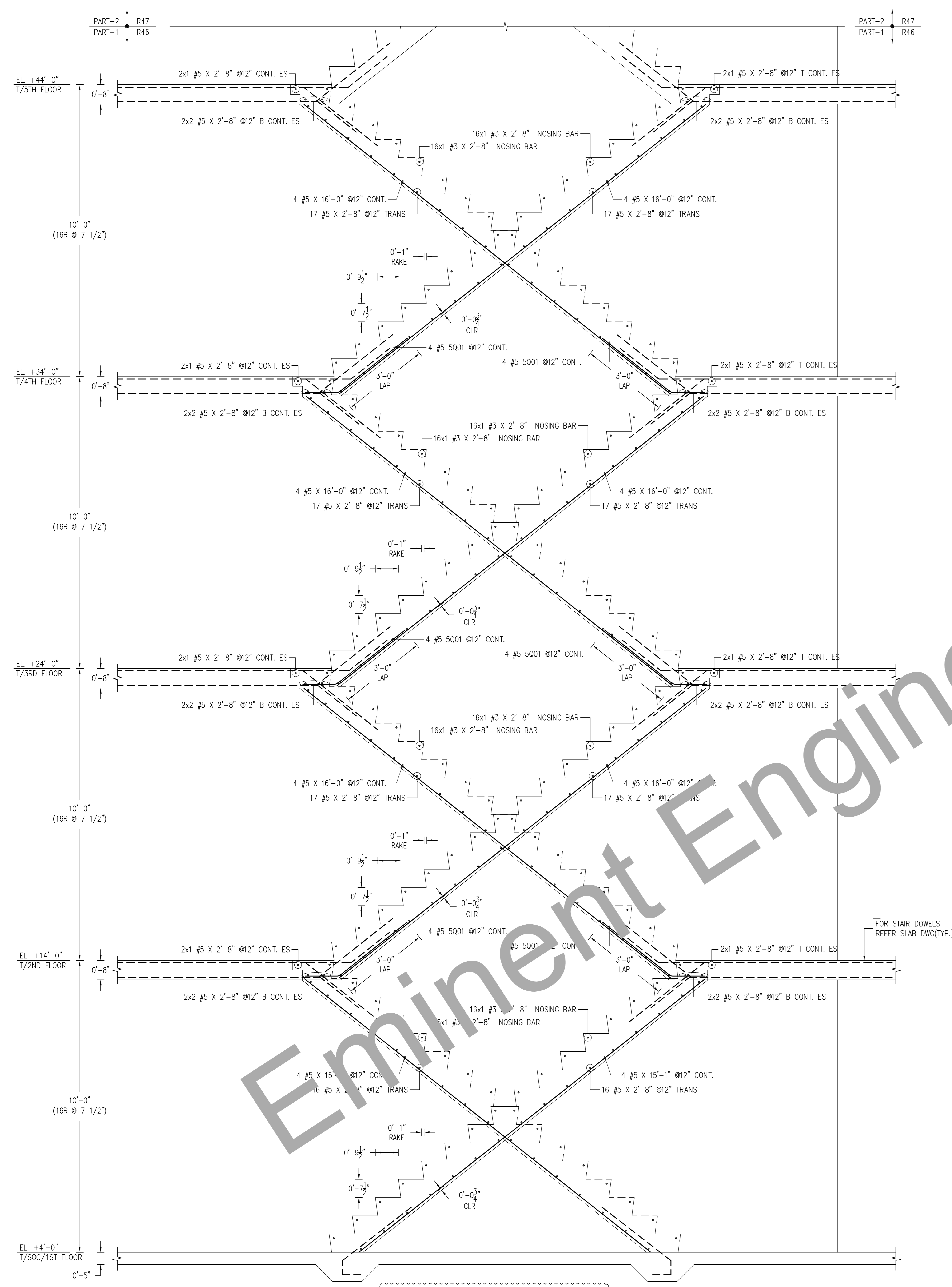
REFERENCE DRAWINGS
FOR REBAR DETAIL OF STAIRS FROM 1ST FLOOR TO 5TH FLOOR REFER DRAWING #R46
FOR REBAR DETAIL OF STAIRS FROM 5TH FLOOR TO ROOF FLOOR REFER DRAWING #R47

FOR APPROVAL

NOTES:
1. TOP OF STAIR LEVEL REFER PLAN
2. COVER DETAILS:
FOR STAIR : BOT = 3/4"
3. STOCK LENGTH USED IS 30'-0"



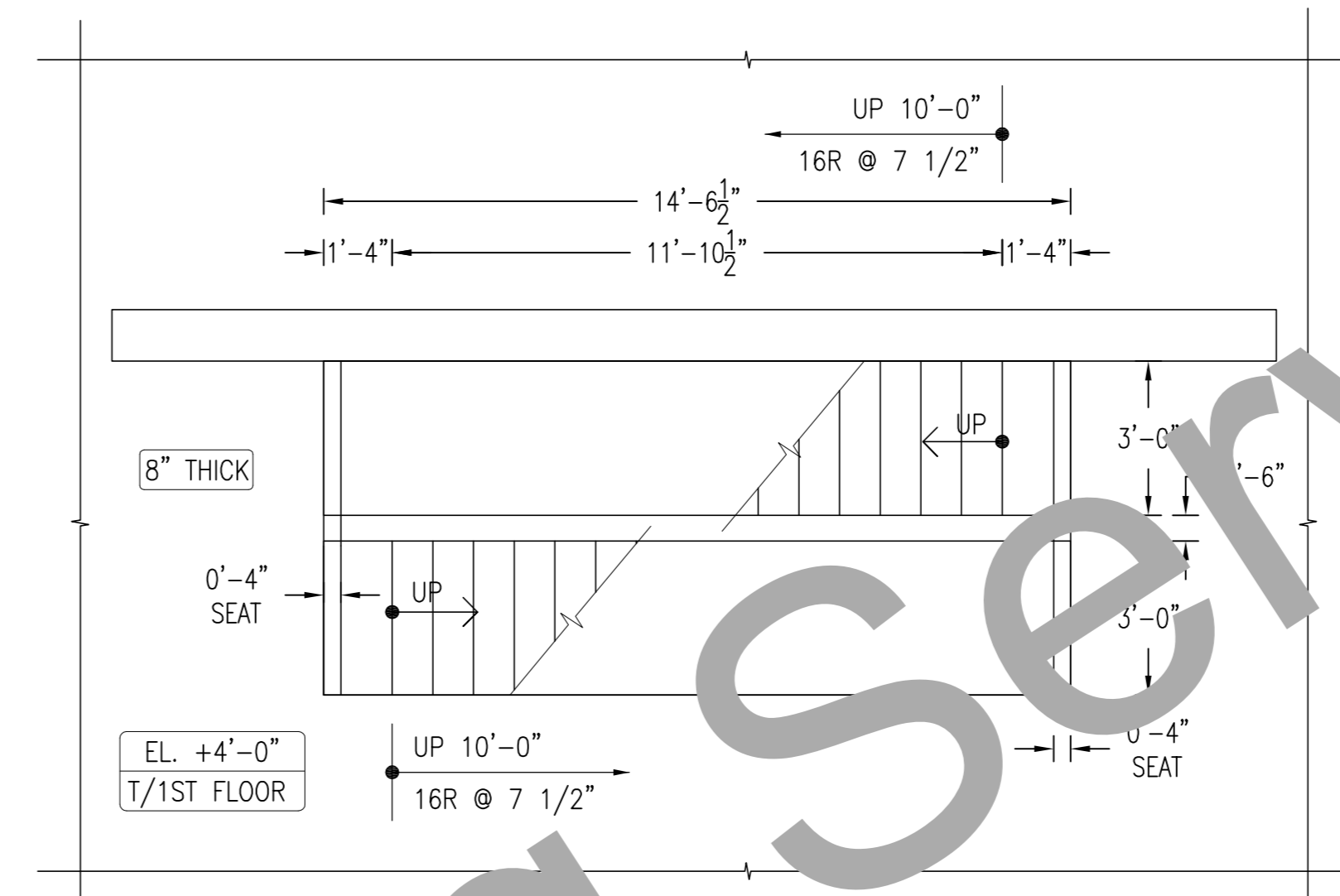
REINFORCING STEEL PLACING DRAWING ONLY USE IN CONJUNCTION WITH CONTRACT DRAWINGS & SPECIFICATIONS. ELEVATIONS & DIMENSIONS SHOWN ON DRAWING ARE FOR DETAILING PURPOSES ONLY AND SHOULD NOT BE USED FOR CONSTRUCTION UNLESS VERIFIED BY ENGINEER OR CONTRACTOR.



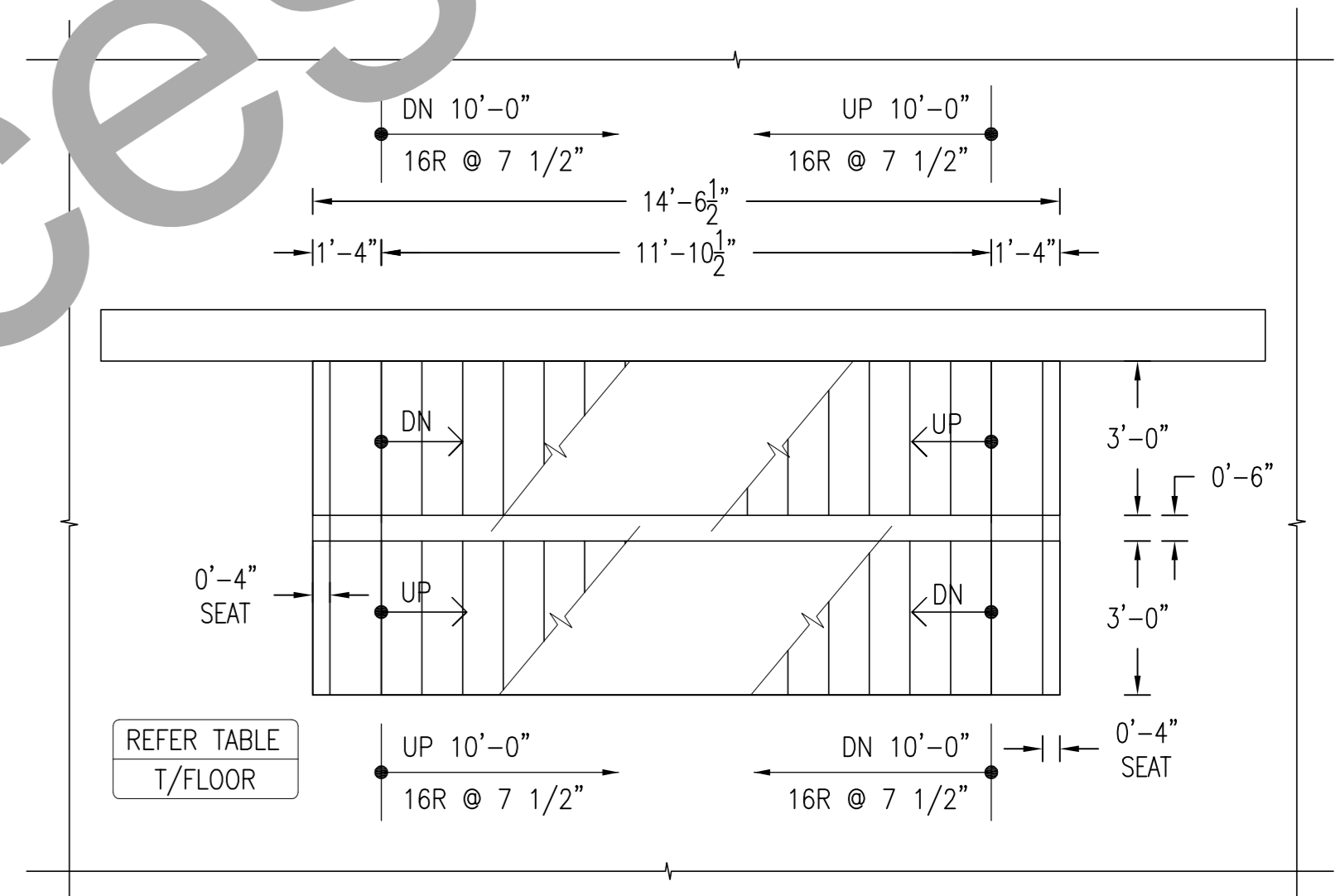
1 SECTION (PART-1)
1/2"=1'-0"
SDR:FO-102
ENG'R PLEASE VERIFY THE STAIR REBAR SIZE & ARRANGEMENT WE PROVIDED(TYP.)

ELEVATION LEVEL TABLE

FLOOR	LEVEL
2ND FLOOR	EL. +14'-0"
3RD FLOOR	EL. +24'-0"
4TH FLOOR	EL. +34'-0"
5TH FLOOR	EL. +44'-0"
6TH FLOOR	EL. +54'-0"
7TH FLOOR	EL. +64'-0"
8TH FLOOR	EL. +74'-0"



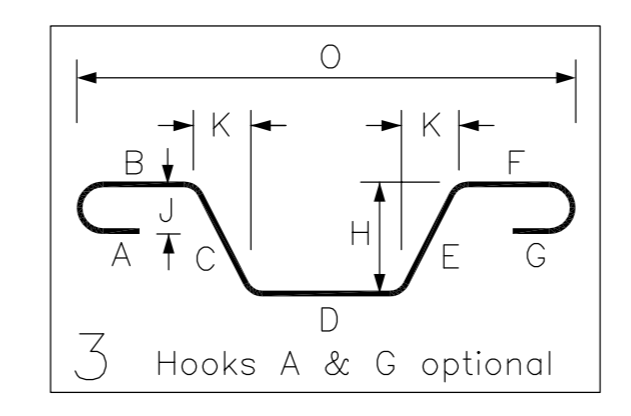
DETAIL - A
1ST FLOOR PLAN
SCALE: 1/4"=1'-0"
SDR: S-001.00, S-100.00 - S-203.00



DETAIL - A
2ND FLOOR TO 8TH FLOOR PLAN
SCALE: 1/4"=1'-0"
SDR: S-001.00, S-100.00 - S-203.00

Release Number: R46

Bar Mark	Qty	Size	Total Length	Type	BENDING DETAILS												
					'a'	'b'	'c'	'd'	'e'	'f'	'g'	'h'	'j'	'k'	'l'	'm'	
5001	24	#5	4'-1 3/4"	3		3'-0"	1'-1 3/4"							0'-9"	0'-10 1/2"	3'-10 1/2"	



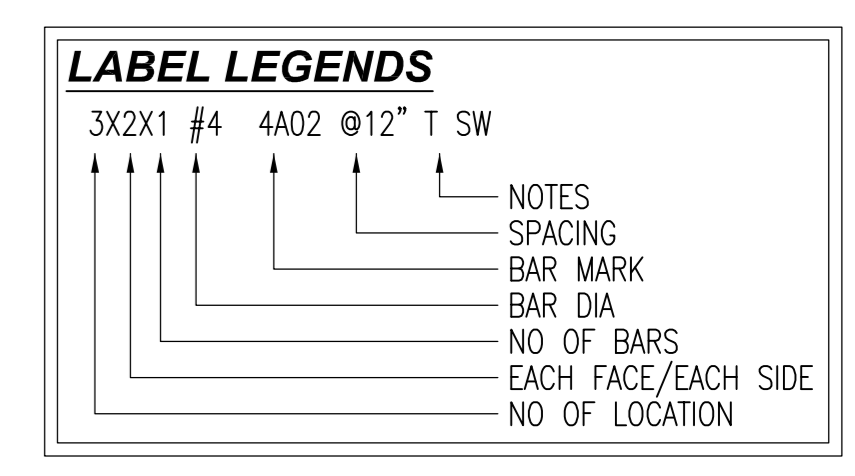
LAP NOTES:
LAP VALUES AS PER SHEET NO. S-001 & S-203

CLASS B LAP 6000 PSI TABLE 1A: 3/4" COVER FOR STAIR	SIZE	TOP	OTHERS
#3	21"	16"	
#4	26"	20"	
#5	32"	24"	
#6	38"	30"	
#7	55"	49"	
#8	69"	60"	
#9	86"	73"	
#10	103"	86"	
#11	120"	99"	

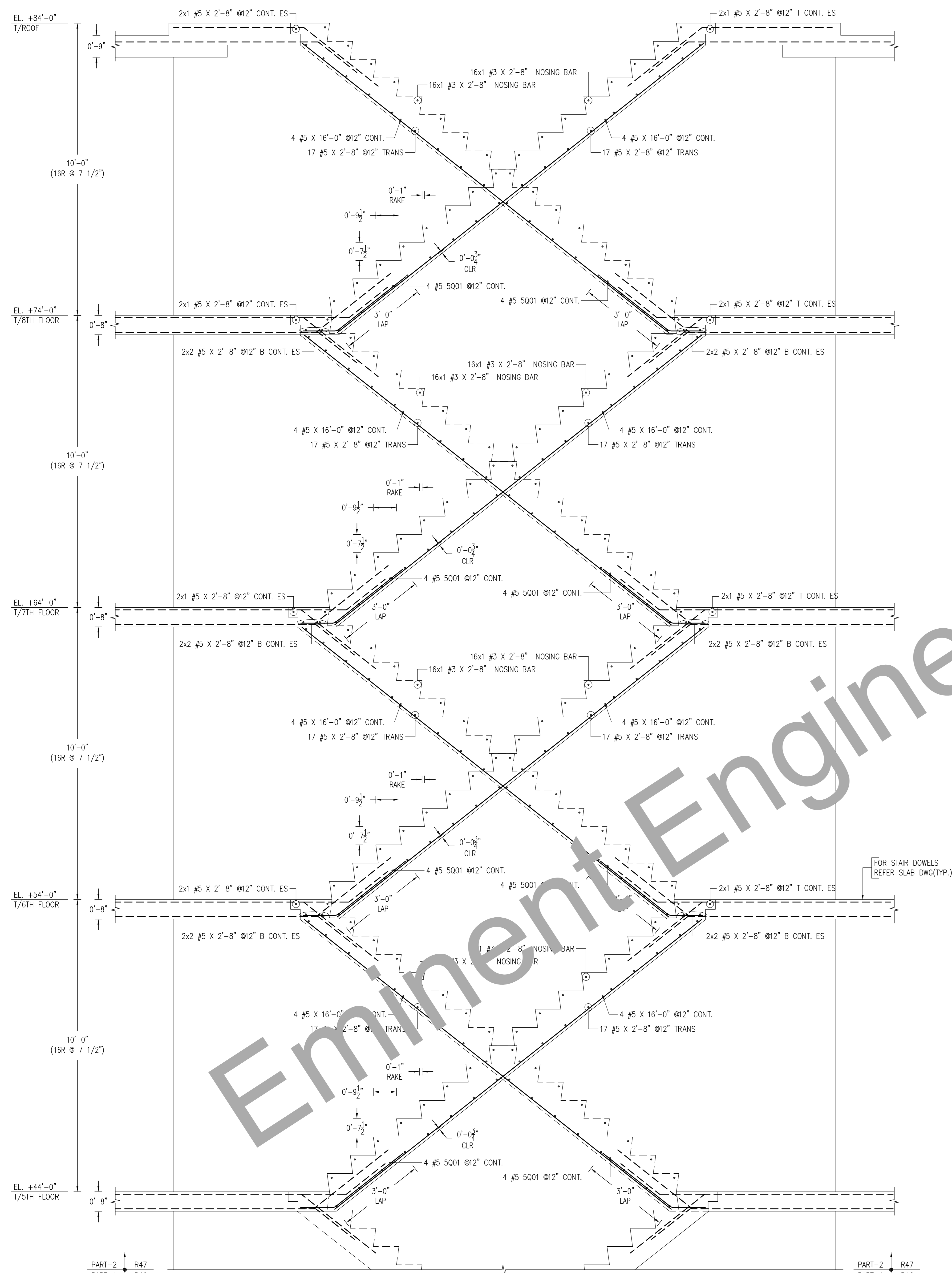
REFERENCE DRAWINGS
FOR REBAR DETAIL OF STAIR KEYPLAN LAYOUT REFER DRAWING #R45
FOR REBAR DETAIL OF STAIRS FROM 5TH FLOOR TO ROOF FLOOR REFER DRAWING #R47

FOR APPROVAL

NOTES:
1. TOP OF STAIR LEVEL REFER PLAN
2. COVER DETAILS:
FOR STAIR : BOT = 3/4"
3. STOCK LENGTH USED IS 30'-0"



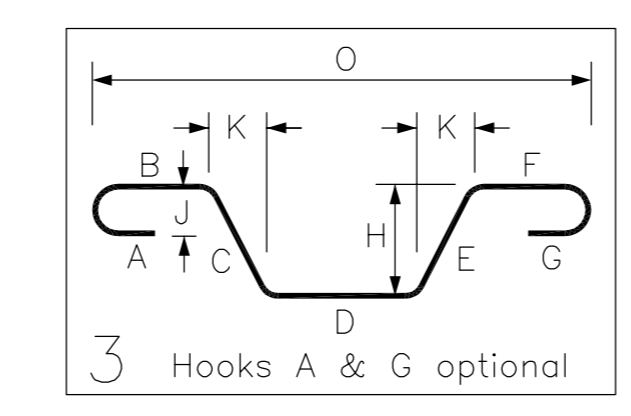
REINFORCING STEEL PLACING DRAWING ONLY USE IN CONJUNCTION WITH CONTRACT DRAWINGS & SPECIFICATIONS. ELEVATIONS & DIMENSIONS SHOWN ON DRAWING ARE FOR DETAILING PURPOSES ONLY AND SHOULD NOT BE USED FOR CONSTRUCTION UNLESS VERIFIED BY ENGINEER OR CONTRACTOR.



DETAIL - A
ROOF FLOOR PLAN
SCALE: 1/4"=1'-0"
SDR: S-001.00, S-100.00 - S-203.00

Release Number: R47

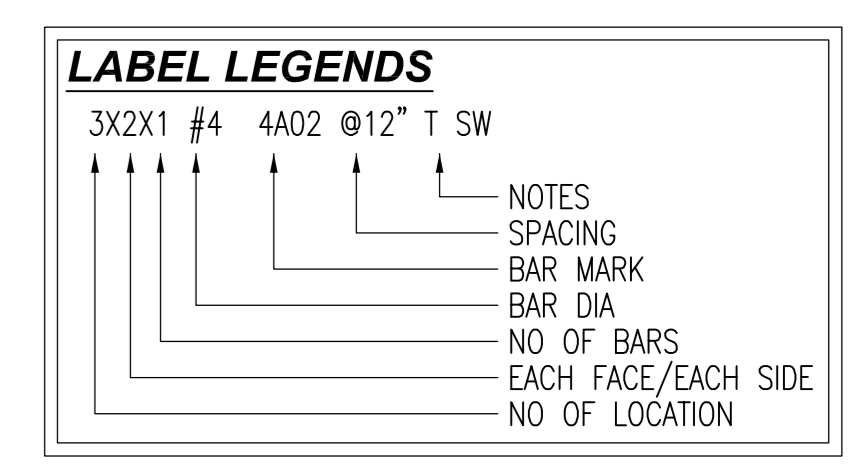
Bar Mark	Qty	Size	Total Length	Type	'A'	'B'	'C'	'D'	'E'	'F'	'G'	'H'	'I'	'J'	'K'	'L'	'M'	
5001	32	#5	4'-1 3/4"	3			3'-0"	1'-1 3/4"							0'-9"		0'-10 3/4"	3'-10 3/4"



LAP NOTES:
LAP VALUES AS PER SHEET NO. S-001 & S-203

CLASS	LAP	6000 PSI
TABLE 1.A:	3/4"	COVER
FOR STAIR		
SIZE	TOP	OTHERS
#3	21"	16"
#4	26"	20"
#5	32"	24"
#6	38"	30"
#7	55"	49"
#8	69"	60"
#9	86"	73"
#10	103"	86"
#11	120"	99"

REFERENCE DRAWINGS
FOR REBAR DETAIL OF STAIR KEYPLAN LAYOUT REFER DRAWING #R45
FOR REBAR DETAIL OF STAIRS FROM 1ST FLOOR TO 5TH FLOOR REFER DRAWING #R46



NOTES:
1. TOP OF STAIR LEVEL REFER PLAN
2. COVER DETAILS:
FOR STAIR : BOT = 3/4"
3. STOCK LENGTH USED IS 30'-0"

FOR APPROVAL

1 SECTION (PART-2)
1/2"=1'-0"
SDR:FO-102
ENGR PLEASE VERIFY THE STAIR REBAR SIZE & ARRANGEMENT WE PROVIDED(TYP.)

Eminent Engineering Services