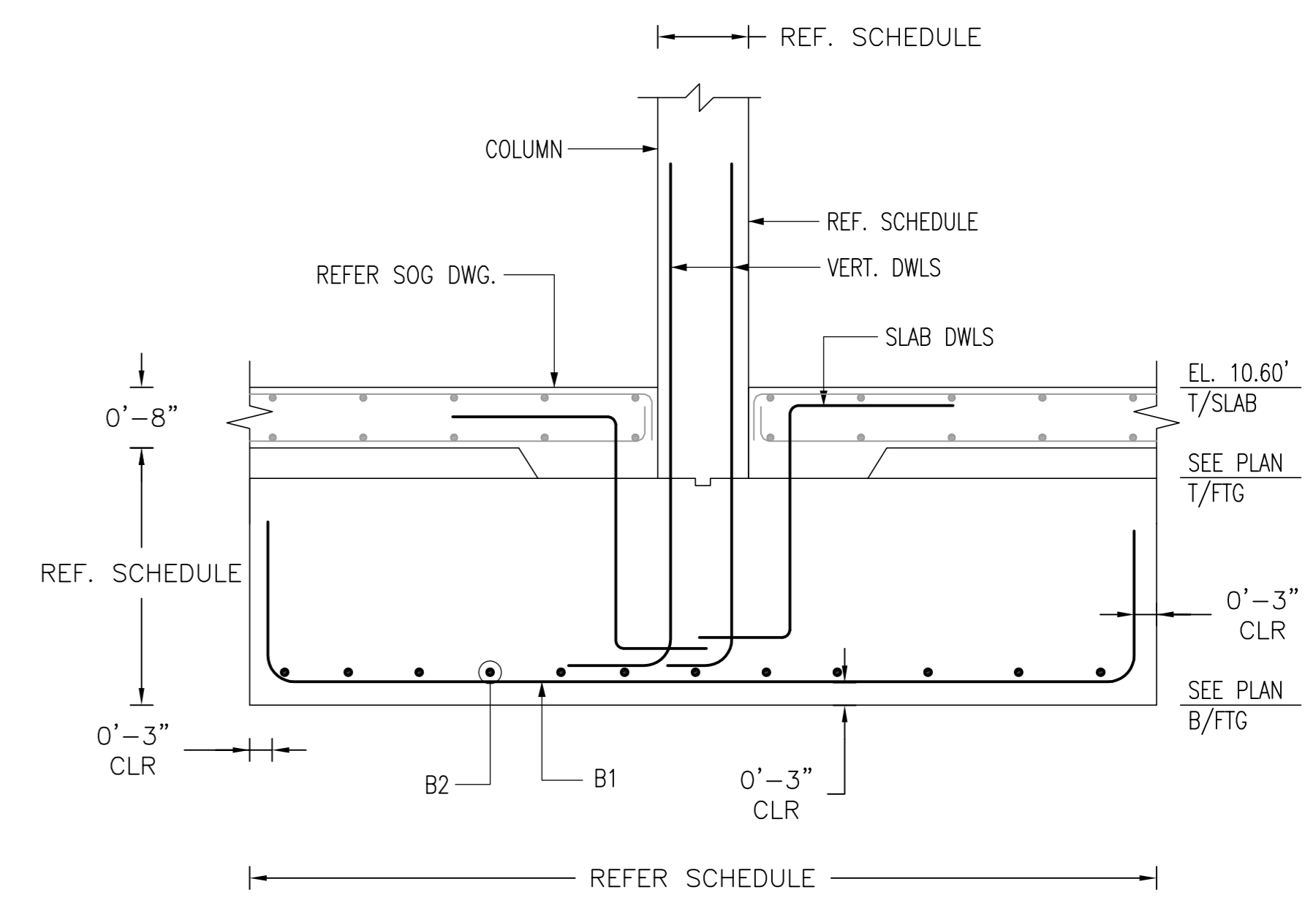


REINFORCING STEEL PLACING DRAWING ONLY. USE IN CONJUNCTION WITH CONTRACT DRAWINGS & SPECIFICATIONS. ELEVATIONS & DIMENSIONS SHOWN ON DRAWINGS ARE FOR DETAILING PURPOSES ONLY AND SHOULD NOT BE USED FOR CONSTRUCTION UNLESS VERIFIED BY ENGINEER OR CONTRACTOR.

SPREAD FOOTING & COLUMN DOWELS REINFORCEMENT SCHEDULE									
FOOTING					COLUMN				
MARK	SIZE	QTY	T/FTG EL.	REINFORCEMENT	MARK	SIZE	QTY	REINFORCEMENT	
F14	3'-0"x3'-0"x1'-6"	2	EL. 9.60' EL. 9.10'	2x2x4 #5 5A121 B EW	C3 & C4	10x30	2	2x8 #7 7A60 DWLS 2x3 #3 3A53 TEMP TIES	
F16	4'-0"x4'-0"x1'-6"	1	EL. 9.60'	2x6 #5 5A101 B EW	C32	12x24	1	8 #7 7A60 DWLS 3 #3 3A01 TEMP TIES	
F15	3'-6"x3'-6"x1'-6"	2	EL. 9.60'	2x2x5 #5 5A100 B EW	C21 & C30	12x24	2	2x8 #7 7A60 DWLS 2x3 #3 3A01 TEMP TIES	
F1	6'-0"x8'-0"x1'-6"	2	EL. 9.60'	2x12 #5 5A11 SW 2x12 #5 5A12 LW	C6 & C32	18x18	2	2x8 #7 7A60 DWLS 2x3 #3 3A69 TEMP TIES	
F7	7'-0"x11'-0"x2'-0"	2	EL. 9.60'	2x11 #7 7A13 SW 2x11 #7 7A14 LW	C14 & C67	18x18	2	2x8 #7 7A68 DWLS 2x3 #3 3A69 TEMP TIES	
F9	5'-0"x18'-0"x2'-0"	2	EL. 9.60'	2x18 #7 7A16 SW 2x11 #11 11A15 LW	C15 & C24	18x18	2	2x8 #7 7A68 DWLS 2x3 #3 3A69 TEMP TIES	
F11	9'-0"x11'-0"x2'-0"	1	EL. 9.60'	14 #7 7A17 SW 14 #7 7A14 LW	C23	18x18	1	8 #7 7A68 DWLS TEMP TIES	
F17	6'-0"x6'-0"x1'-6"	1	EL. 9.60'	2x8 #5 5A11 B EW	C31	12x24	1	8 #7 7A60 DWLS 3 #3 3A01 TEMP TIES	
F5	6'-0"x11'-0"x2'-0"	3	EL. 9.60'	3x10 #7 7A72 SW 3x10 #7 7A14 LW	C38 & C45 C51	18x18 10x30	2 1	2x8 #7 7A68 DWLS 2x3 #3 3A69 TEMP TIES 8 #7 7A68 DWLS 3 #3 3A53 TEMP TIES	
F2	6'-0"x9'-0"x2'-0"	2	EL. 9.60'	2x8 #7 7A72 SW 2x8 #7 7A17 LW	C39 & C44	12x24	2	2x8 #7 7A68 DWLS 2x3 #3 3A01 TEMP TIES	
F8	4'-6"x18'-0"x2'-0"	2	EL. 9.60'	2x18 #7 7A73 SW 2x9 #11 11A15 LW	C50 & C59	18x18	2	2x8 #7 7A68 DWLS 2x3 #3 3A69 TEMP TIES	
F10	4'-4"x22'-0"x2'-0"	1	EL. 9.60'	22 #7 7A75 SW 13 #11 11A74 LW	C68	18x18	1	8 #7 7A68 DWLS 3 #3 3A69 TEMP TIES	
F4	6'-0"x10'-0"x2'-0"	1	EL. 9.60'	12 #6 6A77 SW 10 #6 6A76 LW	C79	18x18	1	8 #7 7A68 DWLS 3 #3 3A69 TEMP TIES	
F3	7'-0"x8'-0"x1'-6"	1	EL. 9.60'	8 #6 6A78 SW 12 #6 6A79 LW	C80	18x18	1	8 #7 7A60 DWLS 3 #3 3A69 TEMP TIES	
F12	5'-5"x5'-5"x1'-6"	3	EL. 9.60'	3x2x7 #5 5A80 B EW	C9 & C86 C24	10x30 12x24	2 1	2x8 #7 7A60 DWLS 2x3 #3 3A53 TEMP TIES 8 #7 7A60 DWLS 3 #3 3A01 TEMP TIES	
F6	5'-0"x14'-0"x2'-0"	1	EL. 9.60'	14 #7 7A16 SW 14 #7 7A89 LW	C33	18x18	1	8 #7 7A68 DWLS 3 #3 3A69 TEMP TIES	
F18	6'-5"x6'-5"x1'-6"	3	EL. 9.60'	3x2x7 #6 6A103 B EW	C39, C47 & C58	12x24	3	3x8 #7 7A60 DWLS 3x3 #3 3A01 TEMP TIES	
F19	7'-0"x7'-0"x1'-6"	3	EL. 9.60'	3x2x9 #6 6A78 B EW	C13 C40 & C48	10x30 12x24	1 2	8 #7 7A60 DWLS 3 #3 3A53 TEMP TIES 2x8 #7 7A60 DWLS 2x3 #3 3A01 TEMP TIES	
F20	7'-5"x7'-5"x1'-6"	4	EL. 9.60' EL. 9.35'	4x2x8 #7 7A105 B EW	C15, C25, C28 & C43	12x24	4	4x8 #7 7A60 DWLS 4x3 #3 3A01 TEMP TIES	
F21	8'-5"x8'-5"x2'-0"	3	EL. 9.60'	3x2x9 #7 7A106 B EW	C22, C8 & C57	10x30 12x24	1 2	8 #7 7A68 DWLS 3 #3 3A53 TEMP TIES 2x8 #7 7A68 DWLS 2x3 #3 3A01 TEMP TIES	
F24	9'-0"x9'-0"x2'-0"	4	EL. 9.60'	4x2x10 #7 7A17 B EW	C16, C22 & C35 C11	12x24 18x18	3 1	3x8 #7 7A68 DWLS 3x3 #3 3A01 TEMP TIES 8 #7 7A68 DWLS 3 #3 3A01 TEMP TIES	
F25	10'-0"x10'-0"x2'-6"	13	EL. 9.60'	15x2x10 #8 8A108 B EW	C12, C16, C25 & C44 C17 & C20,	10x30 18x18	4 2	4x8 #7 7A184 DWLS 4x3 #3 3A53 TEMP TIES 2x8 #7 7A184 DWLS 2x3 #3 3A01 TEMP TIES	
F26	11'-0"x11'-0"x2'-6"	1	EL. 9.60'	2x12 #8 8A109 B EW	C54	12x24	1	8 #7 7A184 DWLS 3 #3 3A01 TEMP TIES	
F27	12'-0"x12'-0"x3'-0"	1	EL. 9.60'	2x12 #8 8A110 B EW	C7	12x24	1	8 #7 7A05 DWLS 3 #3 3A01 TEMP TIES	
F28	7'-0"x11'-0"x2'-0"	1	EL. 8.60'	12 #8 8A112 B SW 12 #8 8A109 LW	C7	10x30	1	8 #7 7A68 DWLS 3 #3 3A53 TEMP TIES	
F29	8'-0"x11'-0"x2'-0"	1	EL. 9.60'	12 #9 9A112 B SW 12 #9 9A112 LW	C8	12x24	1	8 #7 7A68 DWLS 3 #3 3A01 TEMP TIES	
F30	10'-0"x15'-0"x2'-6"	2	EL. 9.60'	2x15 #8 8A108 B SW 2x10 #8 8A115 LW 12 #5 5A117 #48" STANDEES	C49 & C50	12x24	2	2x8 #7 7A184 DWLS 2x3 #3 3A01 TEMP TIES	
F31	12'-0"x18'-0"x3'-0"	1	EL. 8.60'	2x25 #9 9A118 T&B LW 2x25 #9 9A04 T&B SW 15 #5 5A120 #48" STANDEES					

Release Number: R03

Bar Mark	Qty	Size	Total Length	Type	X'	Y'	Z'	U'	V'	W'	X'	Y'	Z'	U'	V'	W'
3A01	108	#3	5'-8 3/4"	11	0'-4 3/4"	0'-9"	1'-9"	0'-9"	1'-9"	0'-4 3/4"						
3A53	36	#3	6'-4 3/4"	11	0'-4 3/4"	0'-7"	2'-3"	0'-7"	2'-3"	0'-4 3/4"						
3A69	51	#3	5'-8 3/4"	11	0'-4 3/4"	1'-3"	1'-3"	1'-3"	1'-3"	0'-4 3/4"						
5A11	40	#5	7'-2"	2	0'-10"	5'-6"				0'-10"						
5A12	24	#5	9'-2"	2	0'-10"	7'-6"				0'-10"						
5A80	42	#5	6'-7"	2	0'-10"	4'-11"				0'-10"						
5A100	20	#5	4'-8"	2	0'-10"	3'-0"				0'-10"						
5A101	12	#5	5'-2"	2	0'-10"	3'-6"				0'-10"						
5A117	12	#5	7'-5 1/2"	25	1'-6"	1'-9 3/4"	0'-10"	1'-9 3/4"	1'-6"	1'-9"			0'-10 3/4"			
5A120	15	#5	8'-4 3/4"	25	1'-6"	2'-3 3/4"	0'-10"	2'-3 3/4"	1'-6"	2'-2 3/4"			1'-1 3/4"			
5A121	16	#5	4'-2"	2	0'-10"	2'-6"				0'-10"						
6A76	10	#6	11'-6"	2	1'-0"	9'-6"				1'-0"						
6A77	12	#6	7'-6"	2	1'-0"	5'-6"				1'-0"						
6A78	62	#6	8'-6"	2	1'-0"	6'-6"				1'-0"						
6A79	12	#6	9'-6"	2	1'-0"	7'-6"				1'-0"						
6A103	42	#6	7'-11"	2	1'-0"	5'-11"				1'-0"						
7A05	8	#7	8'-0"	2	1'-2"	6'-10"				1'-2"						
7A13	22	#7	8'-10"	2	1'-2"	6'-6"				1'-2"						
7A14	66	#7	12'-10"	2	1'-2"	10'-6"				1'-2"						
7A16	50	#7	6'-10"	2	1'-2"	4'-6"				1'-2"						
7A17	110	#7	10'-10"	2	1'-2"	8'-6"				1'-2"						
7A60	176	#7	6'-6"	2	1'-2"	5'-4"				1'-2"						
7A68	192	#7	7'-0"	2	1'-2"	5'-10"				1'-2"						
7A72	46	#7	7'-10"	2	1'-2"	5'-6"				1'-2"						
7A73	36	#7	6'-4"	2	1'-2"	4'-0"				1'-2"						
7A75	22	#7	6'-2"	2	1'-2"	3'-10"				1'-2"						
7A89	14	#7	15'-10"	2	1'-2"	13'-6"				1'-2"						
7A105	64	#7	9'-3"	2	1'-2"	6'-11"				1'-2"						
7A106	54	#7	10'-3"	2	1'-2"	7'-11"				1'-2"						
7A184	144	#7	7'-6"	2	1'-2"	6'-4"				1'-2"						
8A108	330	#8	12'-2"	2	1'-4"	9'-6"				1'-4"						
8A109	36	#8	13'-2"	2	1'-4"	10'-6"				1'-4"						
8A110	24	#8	14'-2"	2	1'-4"	11'-6"				1'-4"						
8A112	12	#8	9'-2"	2	1'-4"	6'-6"				1'-4"						
8A115	20	#8	17'-2"	2	1'-4"	14'-6"				1'-4"						
9A04	50	#9	14'-8"	2	1'-7"	11'-6"				1'-7"						
9A113	12	#9	13'-8"	2	1'-7"	10'-6"				1'-7"						
9A114	12	#9	10'-8"	2	1'-7"	7'-6"				1'-7"						
9A118	50	#9	20'-8"	2	1'-7"	17'-6"				1'-7"						
11A15	40	#11	21'-6"	2	2'-0"	17'-6"				2'-0"						
11A74	13	#11	25'-6"	2	2'-0"	21'-6"				2'-0"						



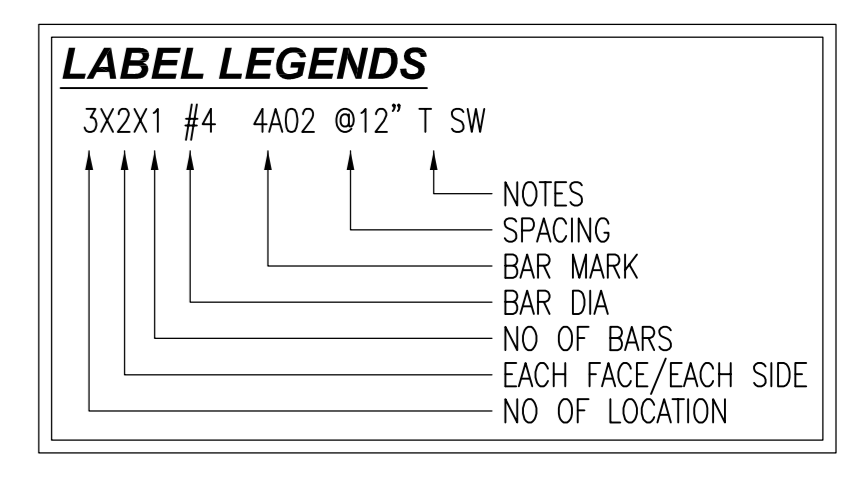
TYPICAL SECTION
1/2"=1'-0"
SDR: 01/FO-201.00

FOR APPROVAL

LAP NOTES:
LAP VALUES AS PER SHEET NO. FO-002.00

CLASS B LAP 5000 PSI FOR SLAB	SIZE	TOP	OTHERS
#3	22"	17"	
#4	29"	22"	
#5	36"	28"	
#6	54"	42"	
#7	63"	49"	
#8	72"	56"	
#9	81"	63"	
#10	92"	71"	
#11	127"	98"	

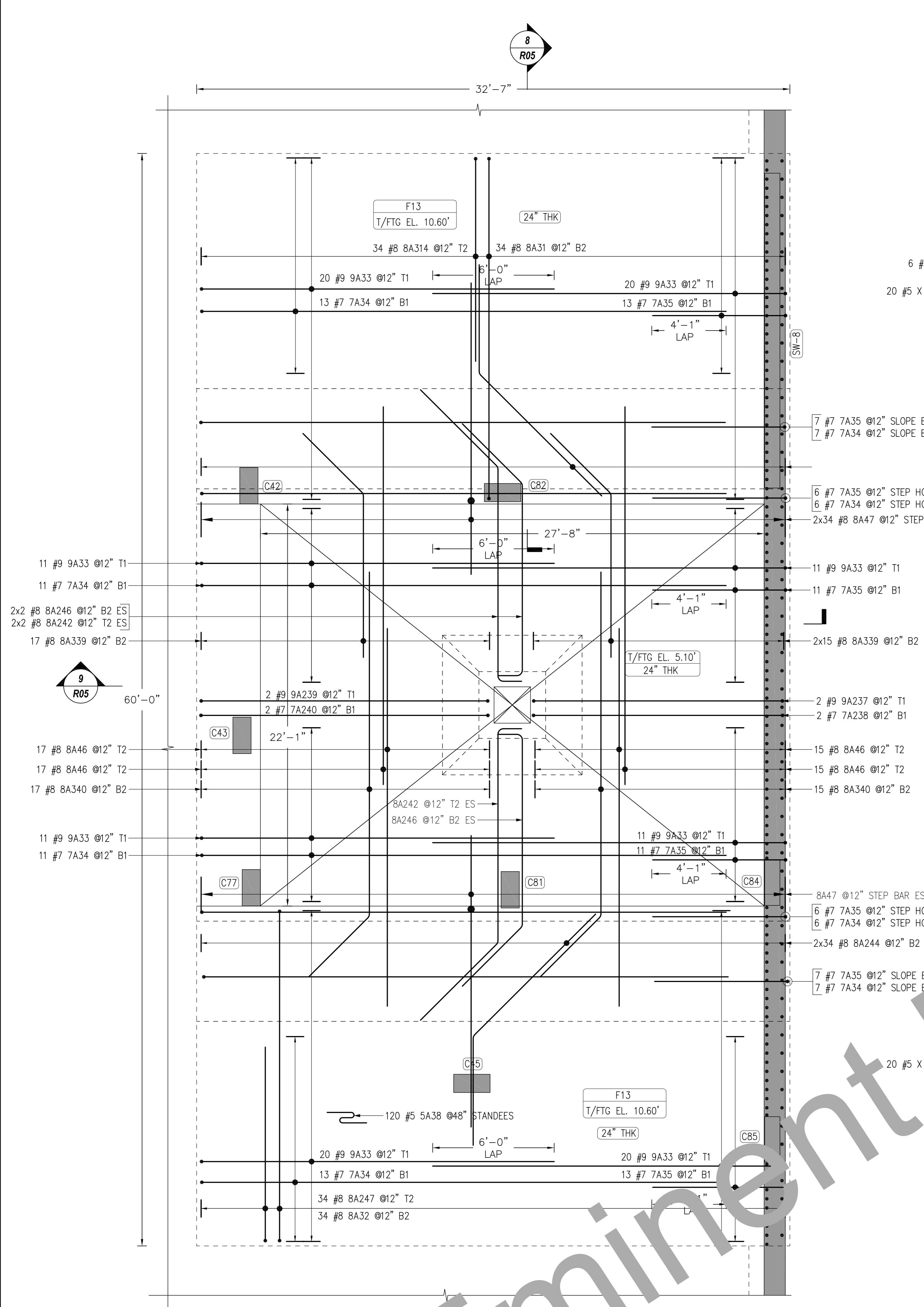
- NOTES:**
- TOP OF SLAB LEVEL REFER PLAN
 - TOP OF FOUNDATION LEVEL REFER PLAN
 - COVER DETAILS:
FOR FTG: BOT = 3", TOP = 2" & SIDES = 3"
 - STOCK LENGTH USED IS 30'-0"



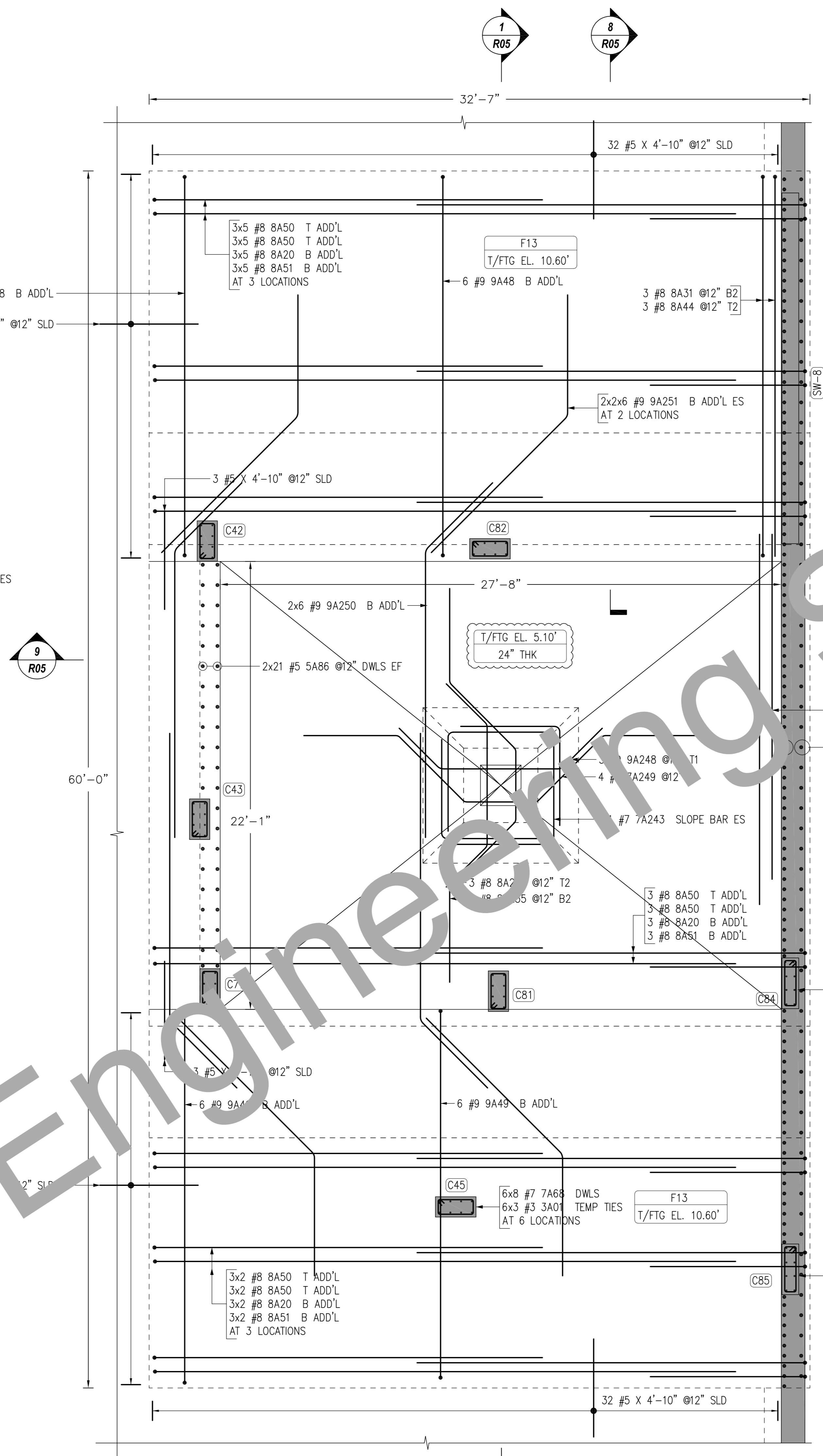
REFERENCE DRAWINGS

FOR REBAR DETAIL OF WALL FOUNDATION AND DOWELS BARS REFER DRAWING #R01
FOR REBAR DETAIL OF WALL FOUNDATION AND DOWELS BARS REFER DRAWING #R02
FOR REBAR DETAIL OF DETAIL-C ELEVATOR MAT FOUNDATION TOP&BOTTOM REFER DRAWING #R04
FOR REBAR DETAIL OF MAT FOUNDATION SECTION DETAILS REFER DRAWING #R05
FOR REBAR DETAIL OF DETAIL-A MAT FOUNDATION TOP & BOTTOM REFER DRAWING #R05A
FOR REBAR DETAIL OF DETAIL-A MAT FOUNDATION TOP & BOTTOM ADDITIONAL REFER DRAWING #R05B
FOR REBAR DETAIL OF DETAIL-B MAT FOUNDATION TOP & BOTTOM REFER DRAWING #R05D
FOR REBAR DETAIL OF DETAIL-B MAT FOUNDATION TOP & BOTTOM ADDITIONAL REFER DRAWING #R05E
FOR REBAR DETAIL OF DETAIL-B MAT FOUNDATION TOP & BOTTOM SECTION REFER DRAWING #R05F

REINFORCING STEEL PLACING DRAWING ONLY. USE IN CONJUNCTION WITH CONTRACT DRAWINGS & SPECIFICATIONS. ELEVATIONS & DIMENSIONS SHOWN ON DRAWINGS ARE FOR DETAILING PURPOSES ONLY AND SHOULD NOT BE USED FOR CONSTRUCTION UNLESS VERIFIED BY ENGINEER OR CONTRACTOR.



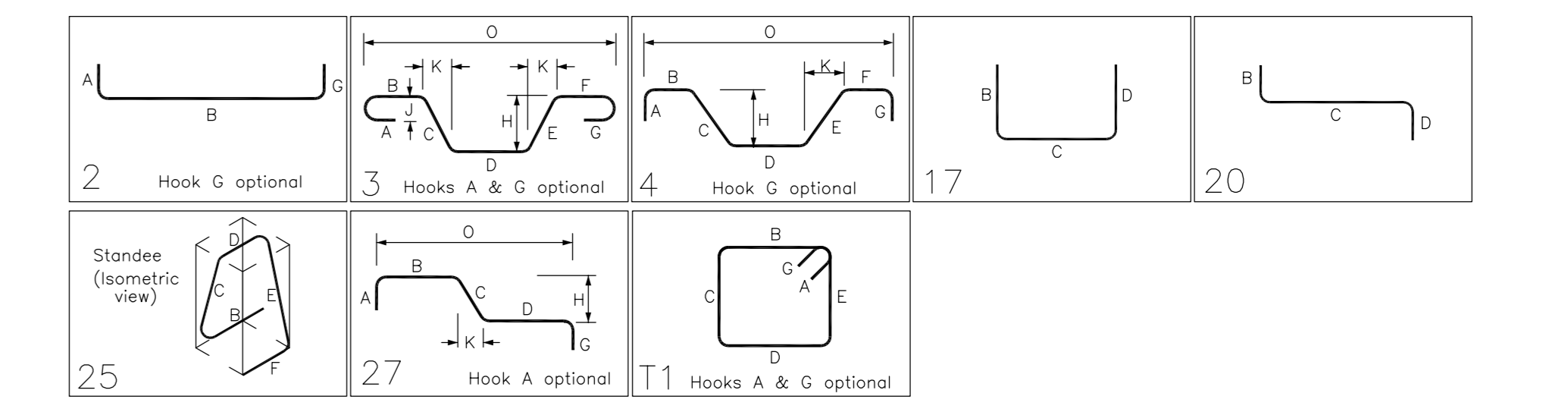
DETAIL-C
MAT FOUNDATION TOP & BOTTOM BARS
 SCALE: 1/4"=1'-0"
 SDR: FO-001.00, FO-101.00 & FO-102.00, FO-201.00 & FO-202.00.



DETAIL-C
MAT FOUNDATION TOP & BOTTOM ADDITIONAL BARS
 SCALE: 1/4"=1'-0"
 SDR: FO-001.00, FO-101.00 & FO-102.00, FO-201.00 & FO-202.00.

Release Number: 004

Bar Mark	Qty	Size	Total Length	Type	X	Y	Z	W	V	U	T	S	R	Q	P	O	N	M	L	K	J	I	H	G	F	E	D	C	B	A
3A01	18	#5	5'-8 3/4"	T1	0'-4 1/2"	0'-9"																								
3A03	6	#5	6'-4 1/2"	T1	0'-4 1/2"	0'-9"																								
5A36	128	#5	6'-4 1/2"	B5	0'-7 1/2"	2'-3"	0'-7 1/2"	2'-3"																						
5A86	42	#5	4'-10"	T2	0'-10"	4'-0"																								
7A05	16	#7	8'-0"	T2	1'-2"	6'-10"																								
7A34	74	#7	30'-0"	T2	1'-2"	28'-10"																								
7A35	74	#7	8'-6"	T2	1'-2"	7'-4"																								
7A68	108	#7	7'-0"	T2	1'-2"	5'-10"																								
7A238	2	#7	16'-1"	T2	1'-2"	15'-9"																								
7A240	2	#7	16'-2"	T2	1'-2"	15'-10"																								
7A243	4	#7	9'-10"	T2	4'-11"																									
7A249	4	#7	22'-2"	T2	4'-8"	17'-4"	5'-2"	4'-2 1/2"	4'-8"																					
8A00	24	#8	30'-0"	T2	1'-4"	28'-8"																								
8A31	378	#8	21'-5"	T2	1'-4"	19'-9"																								
8A32	34	#8	20'-0"	T2	1'-4"	18'-6"																								
8A44	3	#8	20'-1"	T2	4'-1"	15'-0"																								
8A46	64	#8	22'-5 1/2"	T2	4'-11"																									
8A47	68	#8	22'-5 1/2"	T2	4'-11"																									
8A48	48	#8	20'-6"	T2	4'-8"																									
8A49	24	#8	9'-0"	T2	9'-0"																									
8A52	112	#8	7'-0"	T2	1'-4"	5'-8"																								
8A245	4	#8	22'-2"	T2	4'-8"	17'-4"	5'-2"	4'-2 1/2"	4'-8"																					
8A33	128	#8	21'-5"	T2	1'-4"	19'-9"																								
8A34	4	#8	16'-8 1/2"	T2	1'-11 1/2"	14'-9 1/2"																								
8A35	4	#8	16'-8 1/2"	T2	1'-11 1/2"	14'-9 1/2"																								
8A36	4	#8	16'-8 1/2"	T2	1'-11 1/2"	14'-9 1/2"																								
8A37	4	#8	16'-8 1/2"	T2	1'-11 1/2"	14'-9 1/2"																								
8A38	4	#8	16'-8 1/2"	T2	1'-11 1/2"	14'-9 1/2"																								
8A39	4	#8	16'-8 1/2"	T2	1'-11 1/2"	14'-9 1/2"																								
8A40	4	#8	16'-8 1/2"	T2	1'-11 1/2"	14'-9 1/2"																								
8A41	4	#8	16'-8 1/2"	T2	1'-11 1/2"	14'-9 1/2"																								
8A42	4	#8	16'-8 1/2"	T2	1'-11 1/2"	14'-9 1/2"																								
8A43	4	#8	16'-8 1/2"	T2	1'-11 1/2"	14'-9 1/2"																								
8A44	4	#8	16'-8 1/2"	T2	1'-11 1/2"	14'-9 1/2"																								
8A45	4	#8	16'-8 1/2"	T2	1'-11 1/2"	14'-9 1/2"																								
8A46	4	#8	16'-8 1/2"	T2	1'-11 1/2"	14'-9 1/2"																								
8A47	4	#8	16'-8 1/2"	T2	1'-11 1/2"	14'-9 1/2"																								
8A48	4	#8	16'-8 1/2"	T2	1'-11 1/2"	14'-9 1/2"																								
8A49	4	#8	16'-8 1/2"	T2	1'-11 1/2"	14'-9 1/2"																								
8A50	4	#8	16'-8 1/2"	T2	1'-11 1/2"	14'-9 1/2"																								
8A51	4	#8	16'-8 1/2"	T2	1'-11 1/2"	14'-9 1/2"																								
8A52	4	#8	16'-8 1/2"	T2	1'-11 1/2"	14'-9 1/2"																								



REFERENCE DRAWINGS

- FOR REBAR DETAIL OF WALL FOUNDATION AND DOWELS BARS REFER DRAWING #R01
- FOR REBAR DETAIL OF WALL FOUNDATION AND DOWELS BARS REFER DRAWING #R02
- FOR REBAR DETAIL OF SPREAD FOOTING AND MAT FOUNDATION REFER DRAWING #R03
- FOR REBAR DETAIL OF MAT FOUNDATION SECTION DETAILS REFER DRAWING #R05
- FOR REBAR DETAIL OF DETAIL-A MAT FOUNDATION TOP & BOTTOM REFER DRAWING #R05A
- FOR REBAR DETAIL OF DETAIL-A MAT FOUNDATION TOP & BOTTOM ADDITIONAL REFER DRAWING #R05B
- FOR REBAR DETAIL OF DETAIL-B MAT FOUNDATION TOP & BOTTOM REFER DRAWING #R05C
- FOR REBAR DETAIL OF DETAIL-B MAT FOUNDATION TOP & BOTTOM ADDITIONAL REFER DRAWING #R05D
- FOR REBAR DETAIL OF DETAIL-B MAT FOUNDATION TOP & BOTTOM ADDITIONAL REFER DRAWING #R05E
- FOR REBAR DETAIL OF DETAIL-B MAT FOUNDATION TOP & BOTTOM SECTION REFER DRAWING #R05F

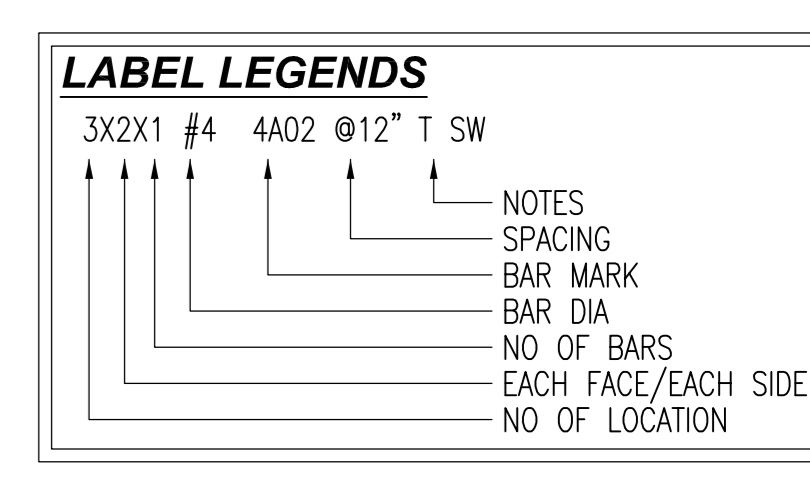
LAP NOTES:
 LAP VALUES AS PER SHEET NO. FO-002.00

CLASS B LAP 5000 PSI FOR SLAB

SIZE	TOP	OTHERS
#3	22"	17"
#4	29"	22"
#5	36"	28"
#6	54"	42"
#7	63"	49"
#8	72"	56"
#9	81"	63"
#10	92"	71"
#11	127"	98"

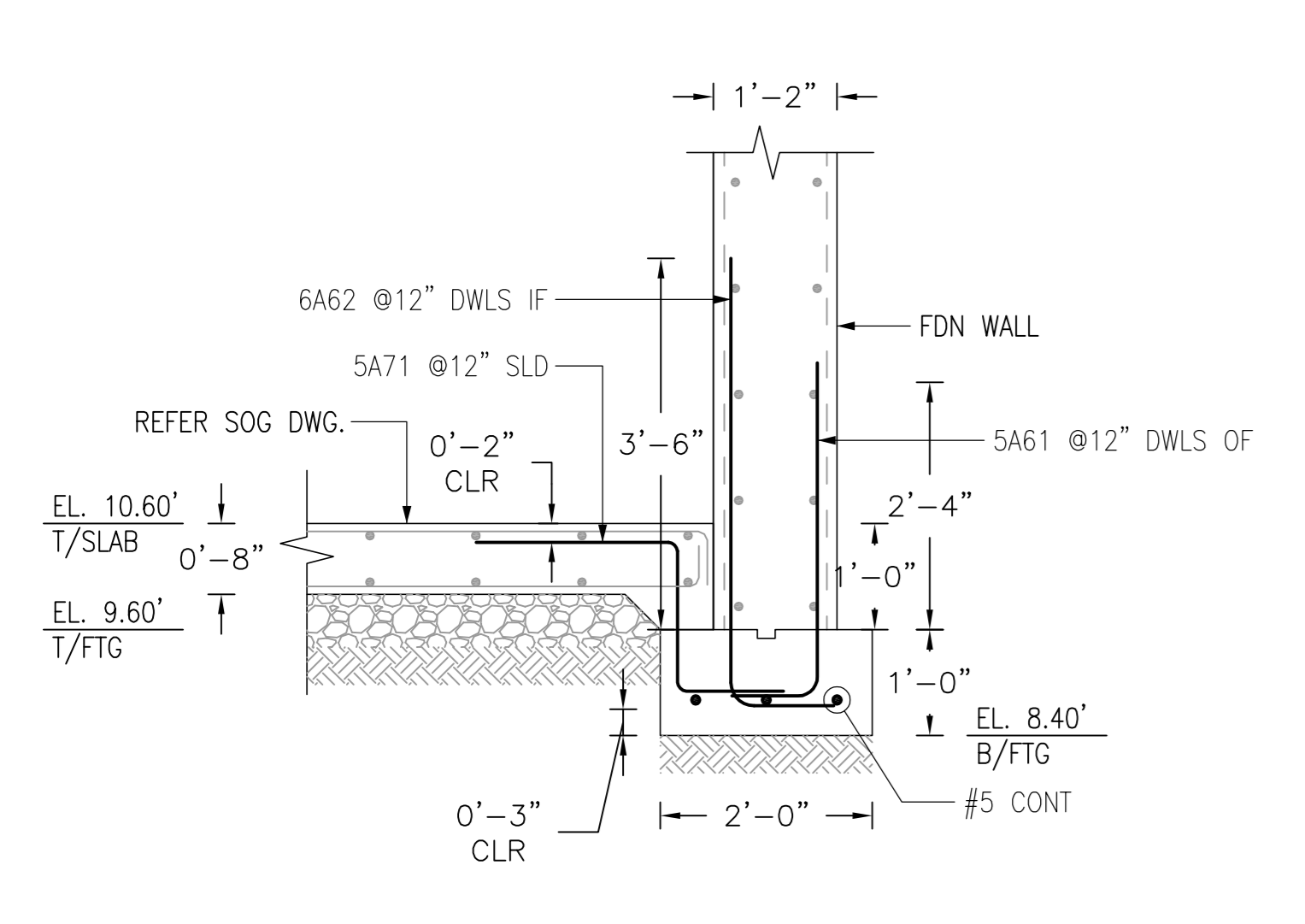
NOTES:

- TOP OF SLAB LEVEL REFER PLAN
- TOP OF FOUNDATION LEVEL REFER PLAN
- COVER DETAILS:
 FOR FTG: BOT = 3", TOP = 2" & SIDES = 3"
- STOCK LENGTH USED IS 30'-0"

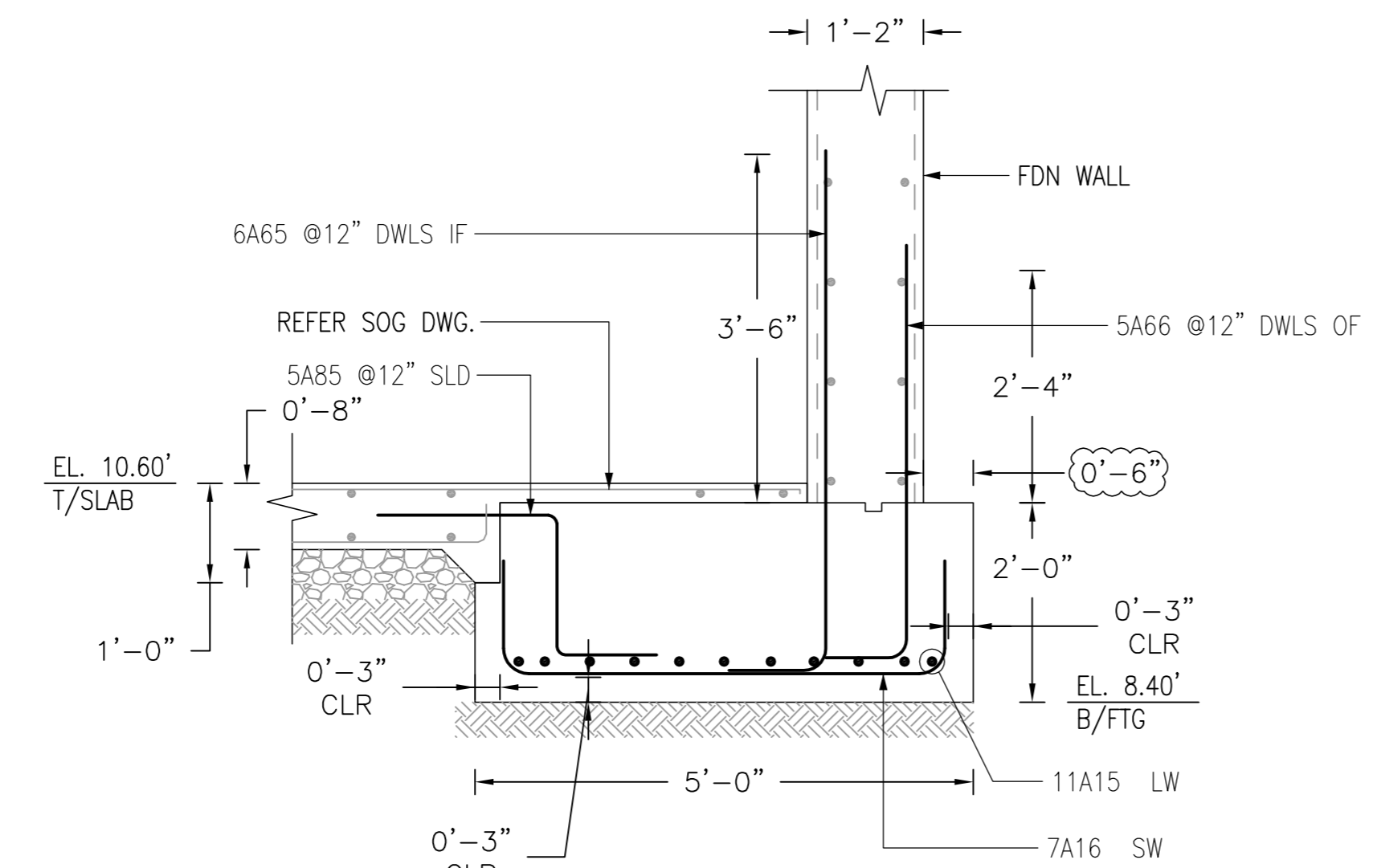


FOR APPROVAL

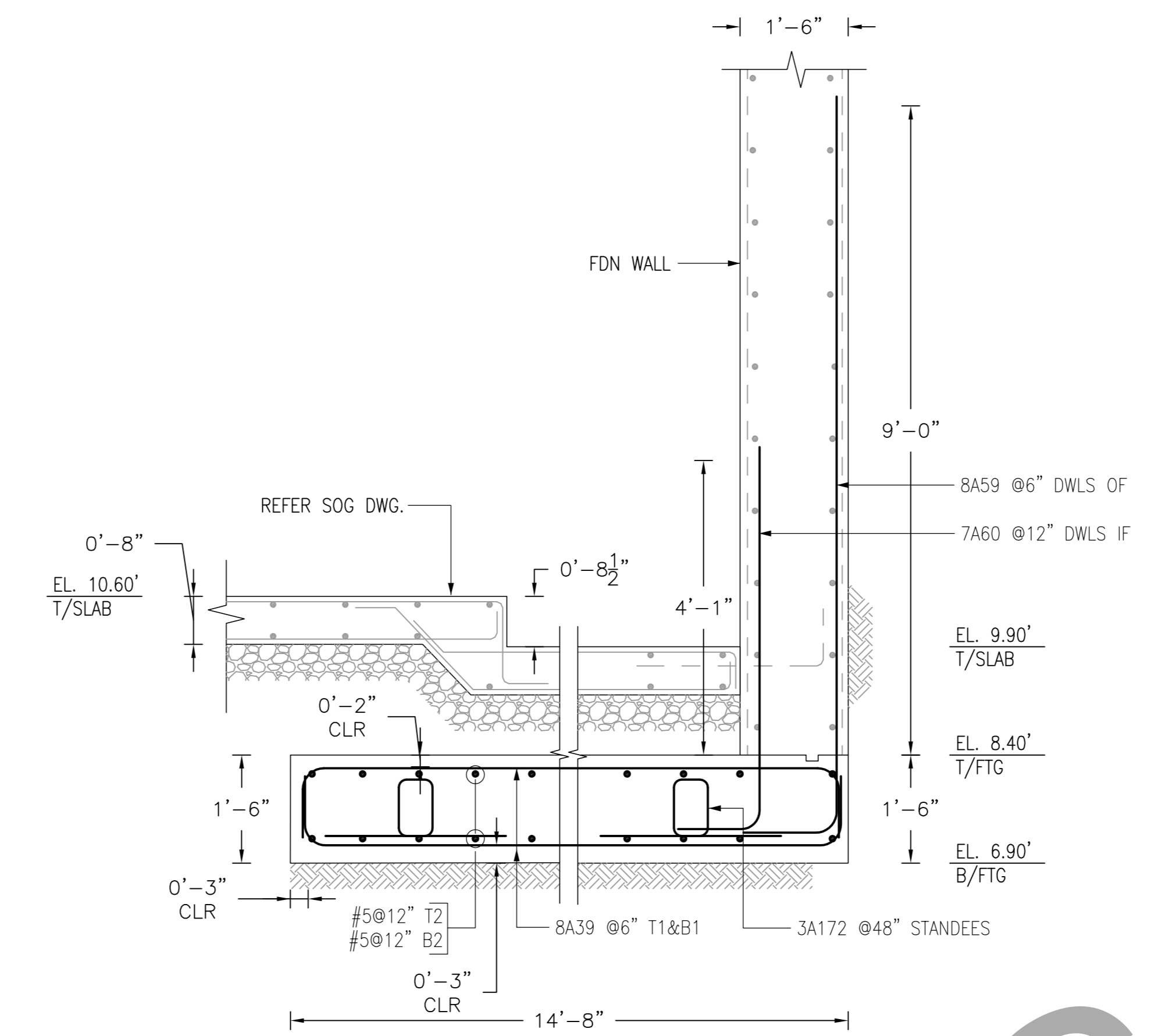
REINFORCING STEEL PLACING DRAWING ONLY. USE IN CONJUNCTION WITH CONTRACT DRAWINGS & SPECIFICATIONS. ELEVATIONS & DIMENSIONS SHOWN ON DRAWINGS ARE FOR DETAILING PURPOSES ONLY AND SHOULD NOT BE USED FOR CONSTRUCTION UNLESS VERIFIED BY ENGINEER OR CONTRACTOR.



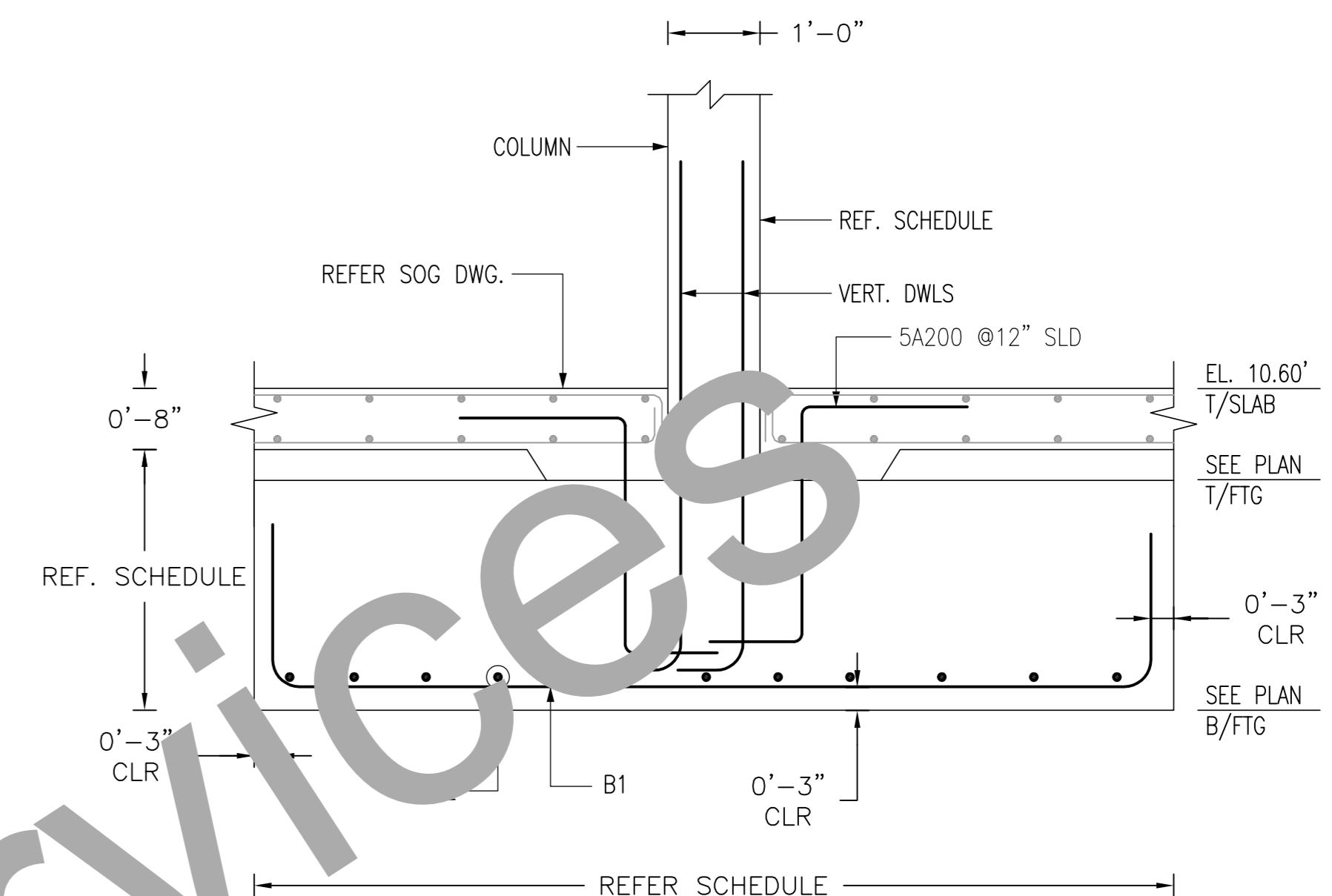
1 SECTION
1/2"=1'-0"
SDR: 01/FO-202.00



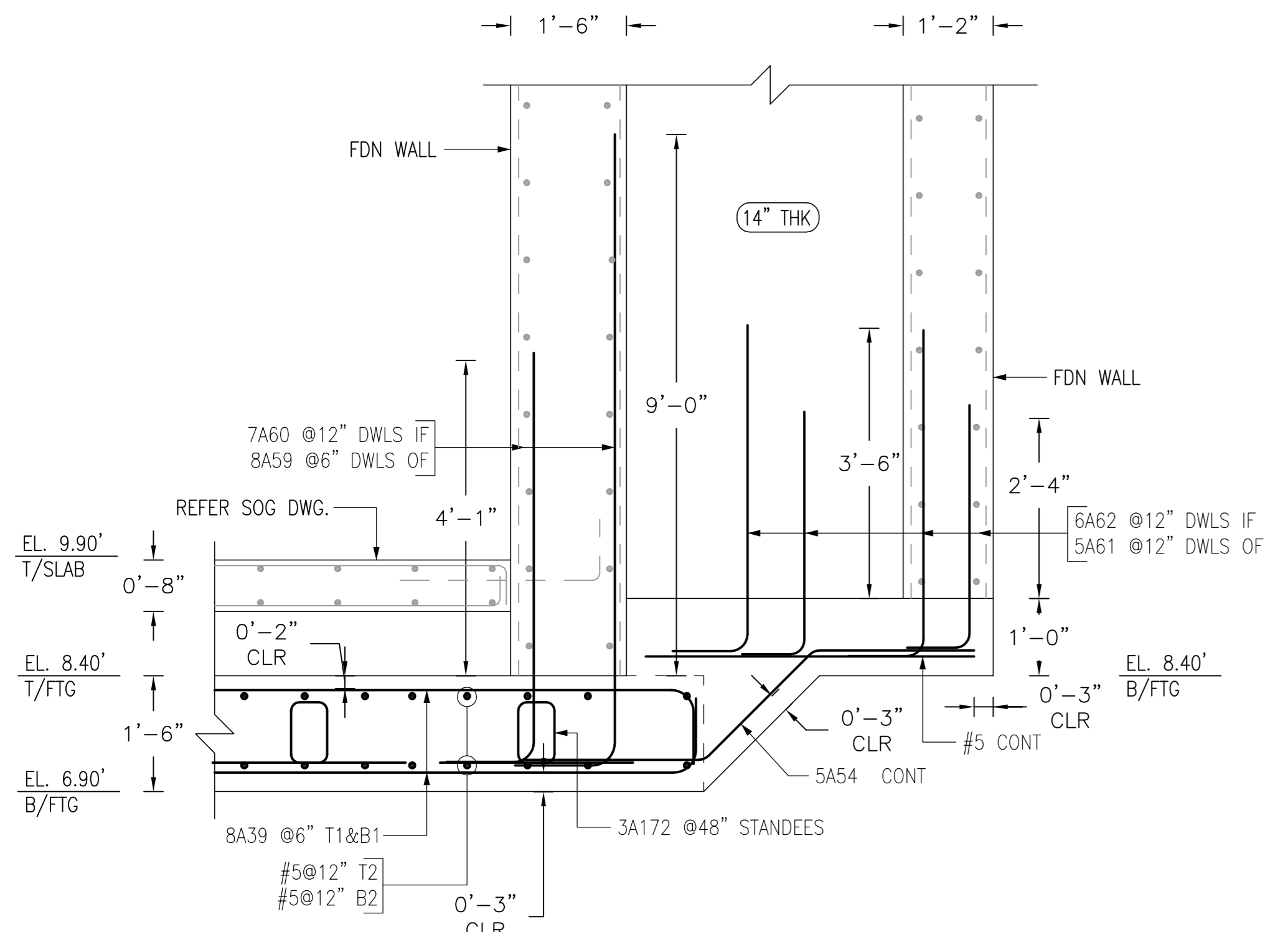
2 SECTION
1/2"=1'-0"
SDR: 1A/FO-202.00



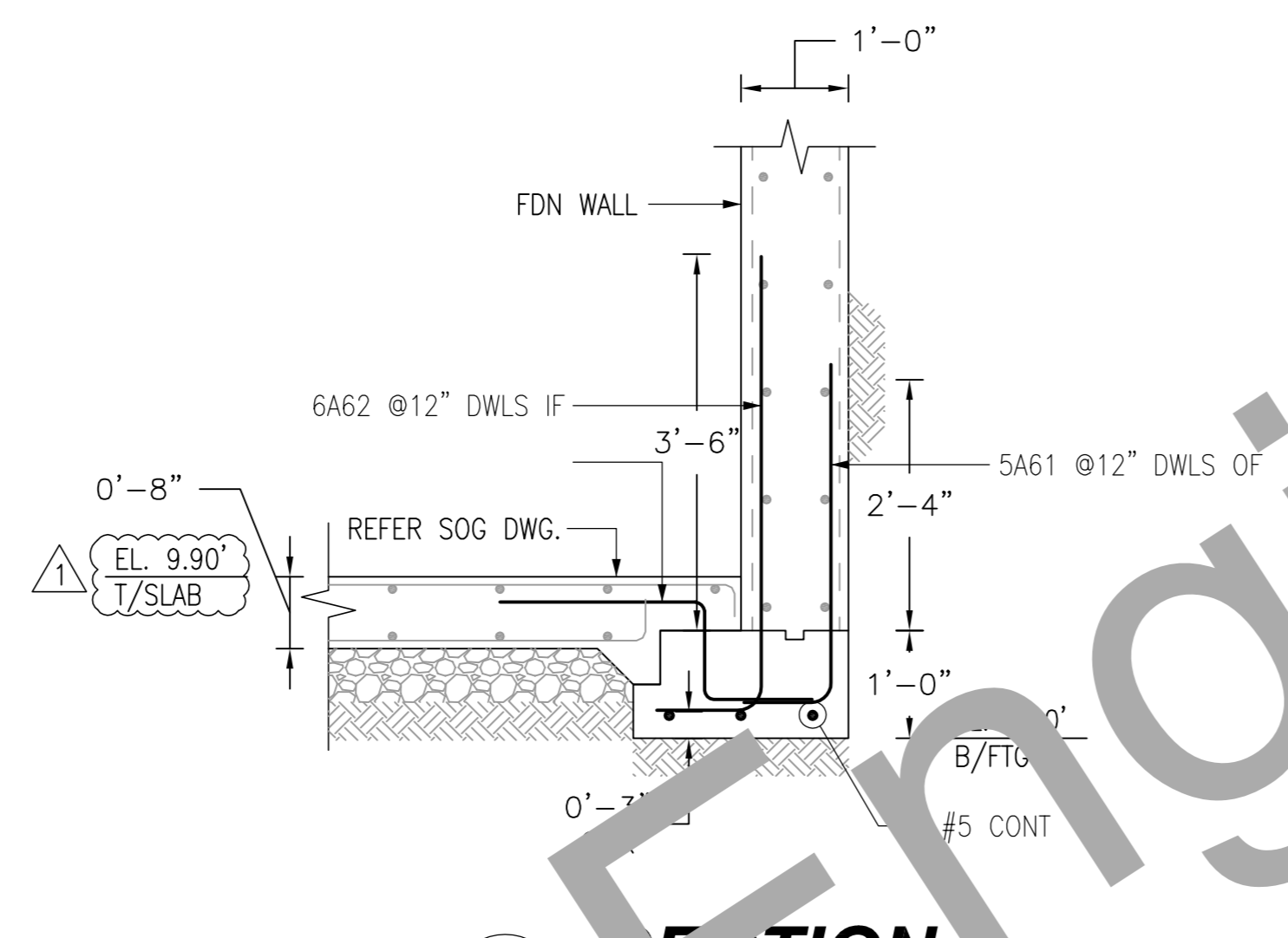
3 SECTION
1/2"=1'-0"
SDR: 09/FO-202.00



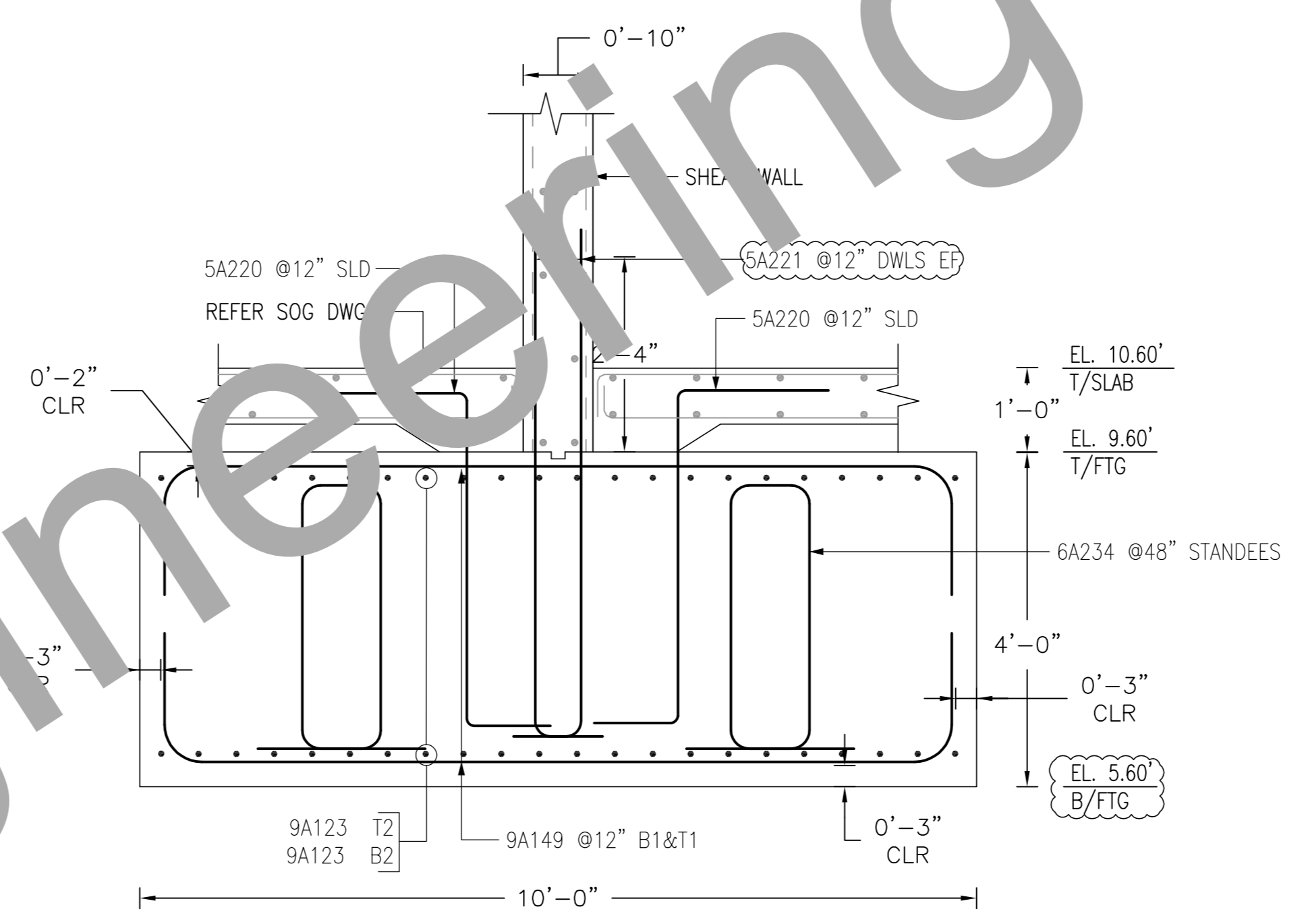
4 SECTION
1/2"=1'-0"
SDR: 01/FO-201.00



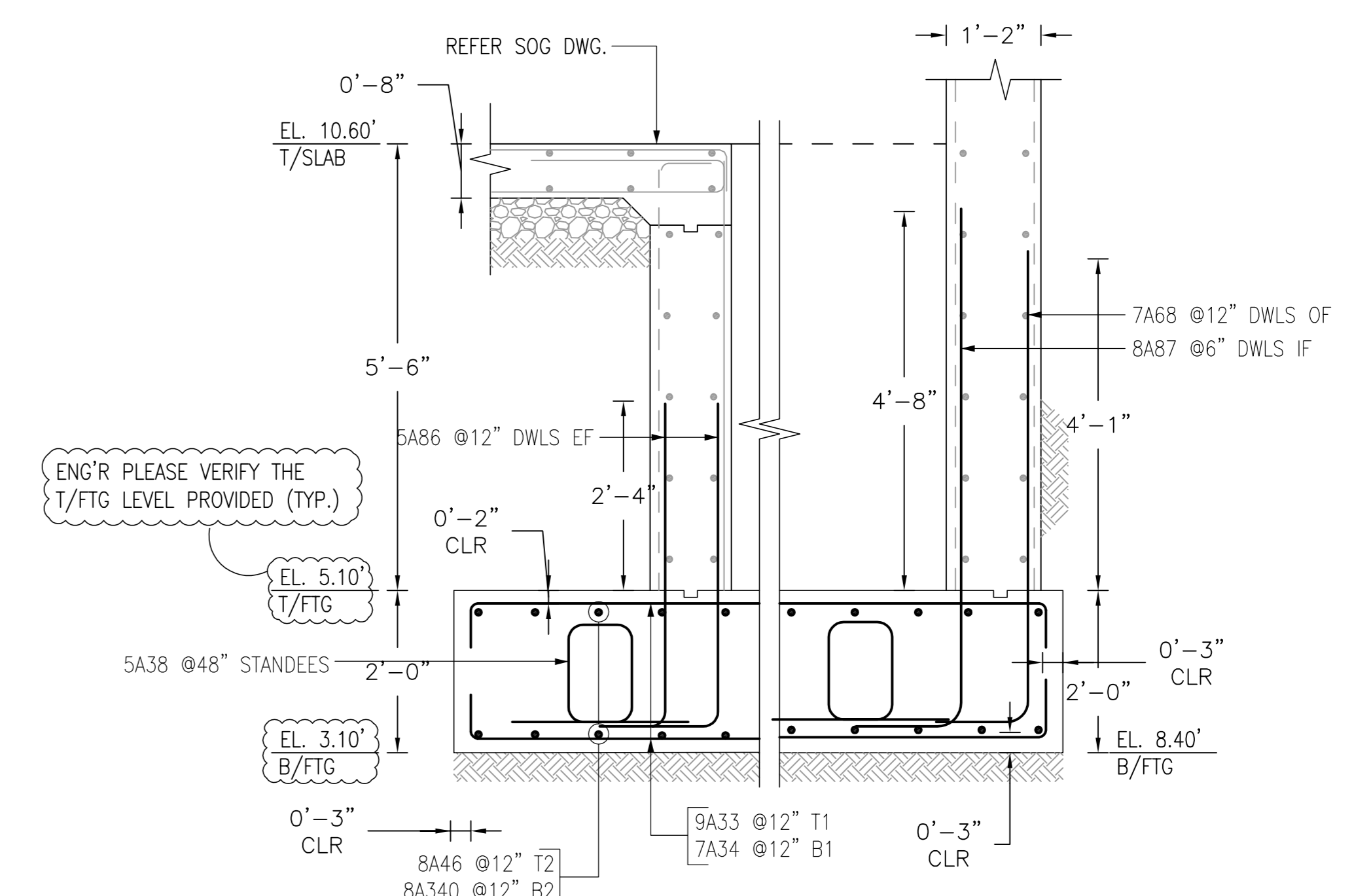
5 SECTION
1/2"=1'-0"
SDR: 09/FO-201.00



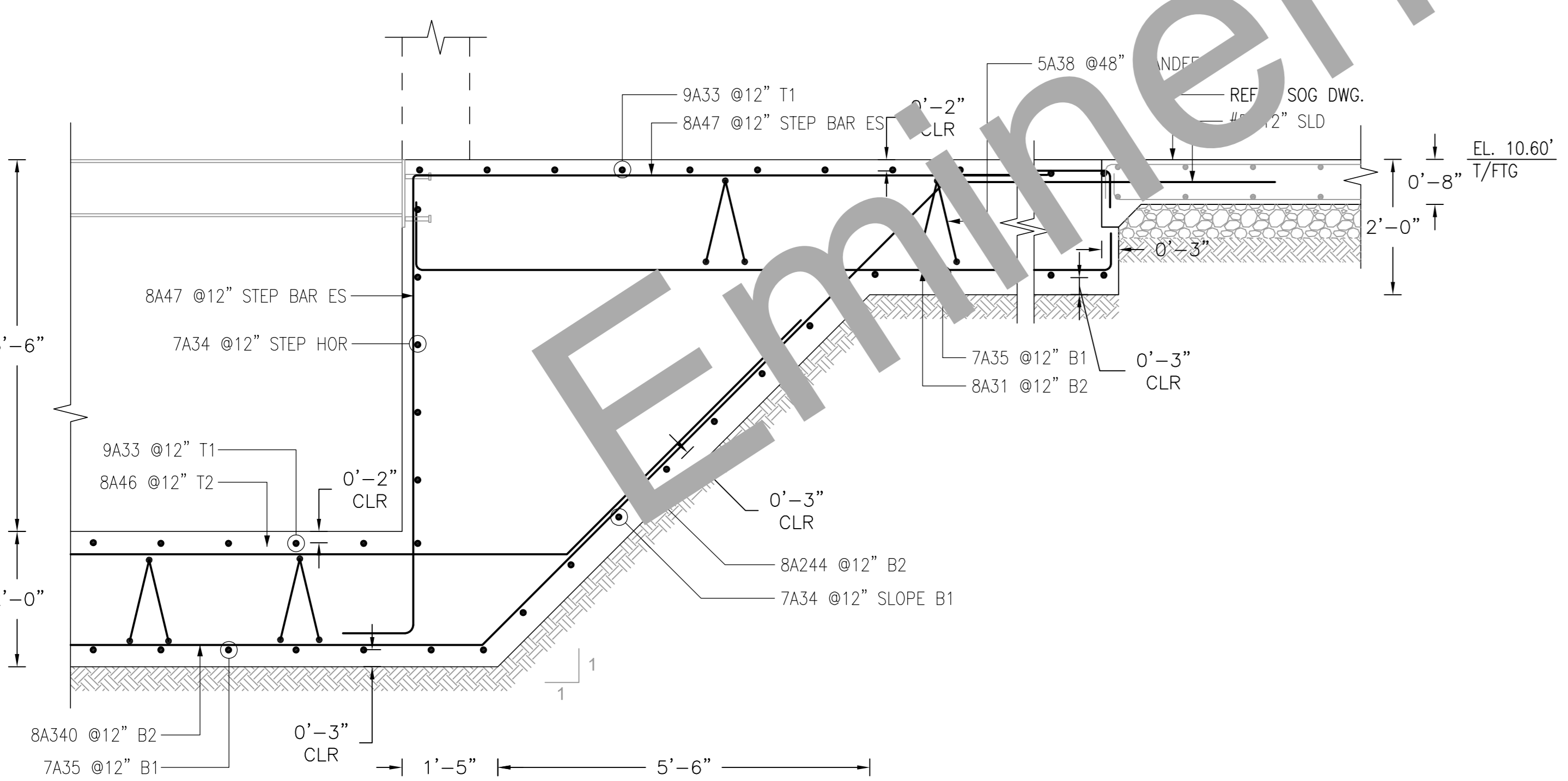
6 SECTION
1/2"=1'-0"
SDR: 02/FO-202.00



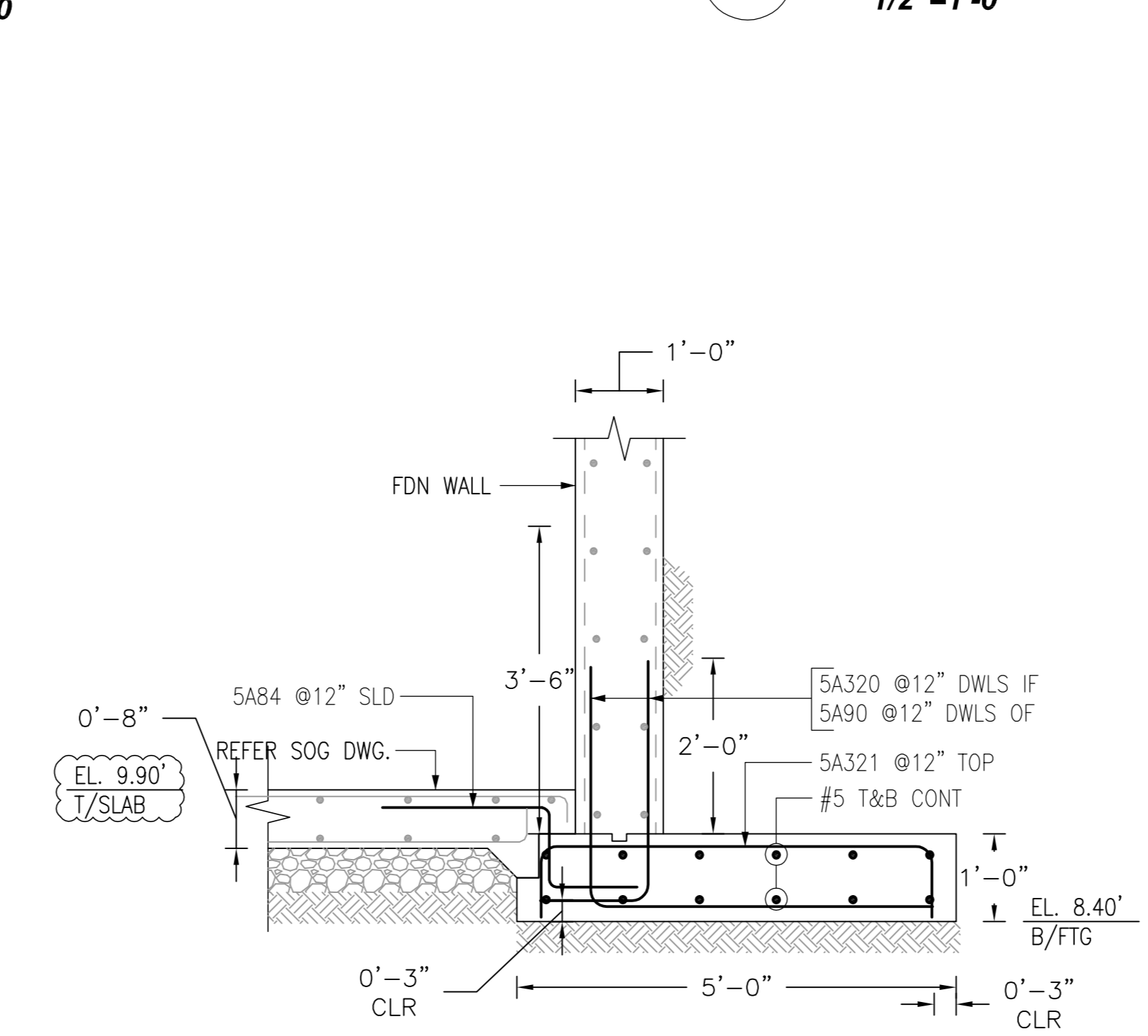
7 SECTION
1/2"=1'-0"



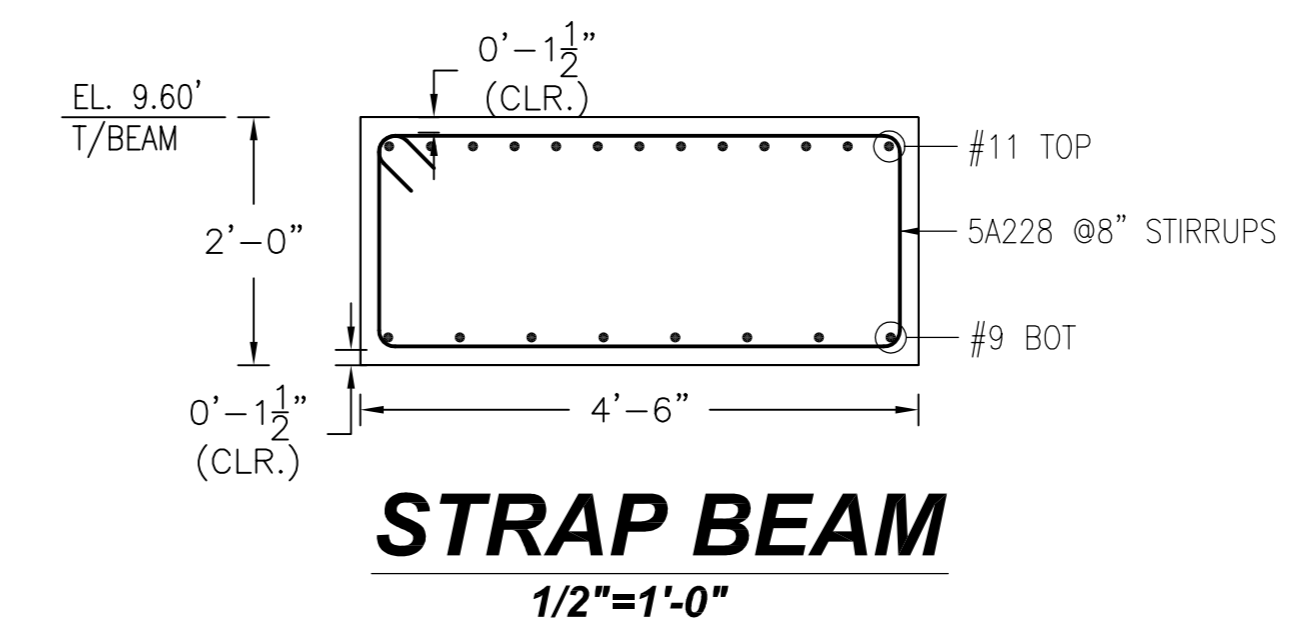
9 SECTION
1/2"=1'-0"
SDR: 04/FO-202.00



8 SECTION
1/2"=1'-0"
SDR: 05/FO-202.00



10 SECTION
1/2"=1'-0"
SDR: 06/FO-201.00



STRAP BEAM
1/2"=1'-0"

REVISE & RESUBMIT

LAP NOTES:
LAP VALUES AS PER SHEET NO. FO-002.00

CLASS B LAP 5000 PSI FOR SLAB	SIZE	TOP	OTHERS
#3	22"	17"	
#4	29"	22"	
#5	36"	28"	
#6	54"	42"	
#7	63"	49"	
#8	72"	56"	
#9	81"	63"	
#10	92"	71"	
#11	127"	98"	

- NOTES:**
- TOP OF SLAB LEVEL REFER PLAN
 - TOP OF FOUNDATION LEVEL REFER PLAN
 - COVER DETAILS:
FOR FTG: BOT = 3", TOP = 2" & SIDES = 3"
 - STOCK LENGTH USED IS 30'-0"

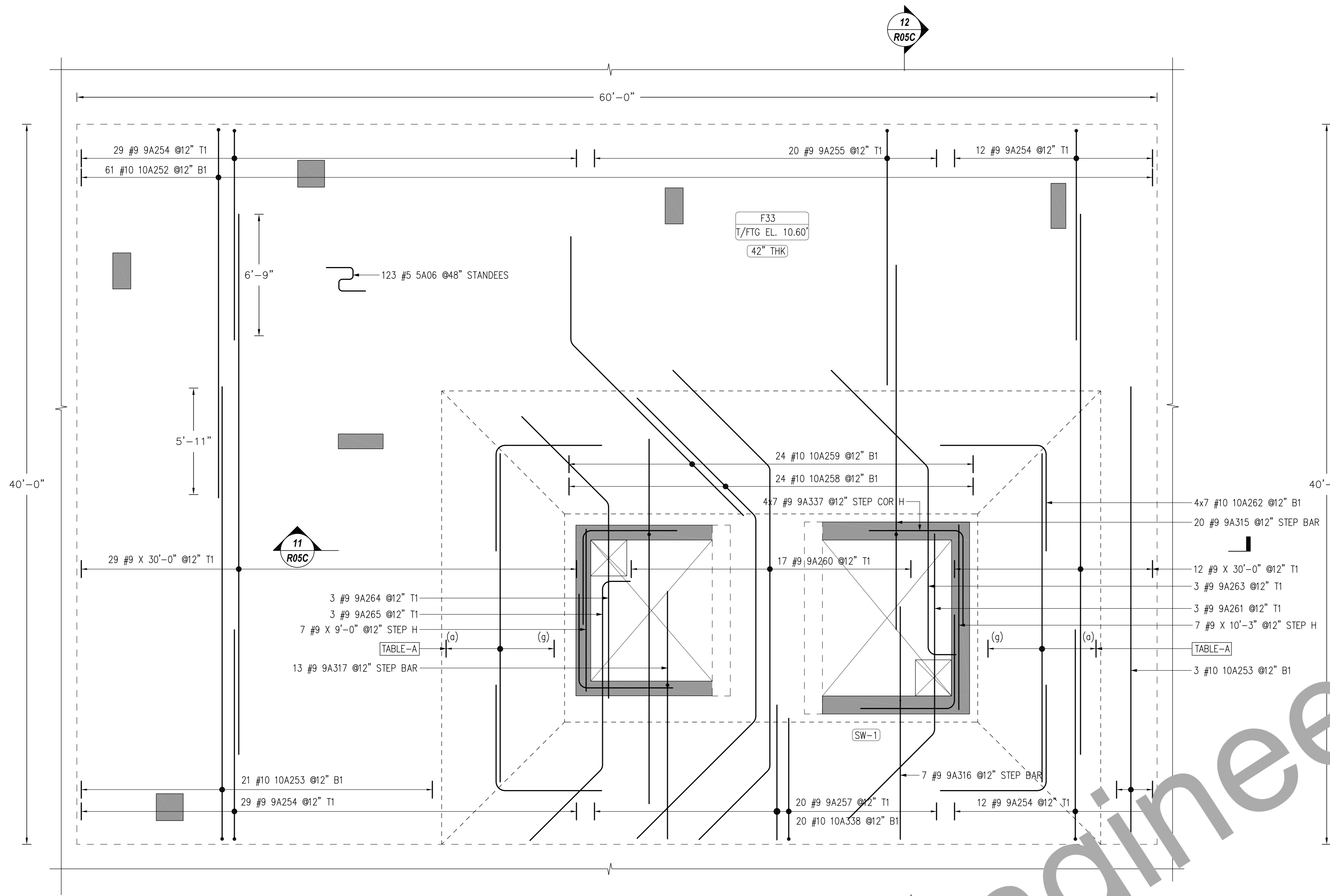
LABEL LEGENDS

3X2X1 #4	4A02 @12" T SW
NOTES	
SPACING	
BAR MARK	
BAR DIA	
NO OF BARS	
EACH FACE/EACH SIDE	
NO OF LOCATION	

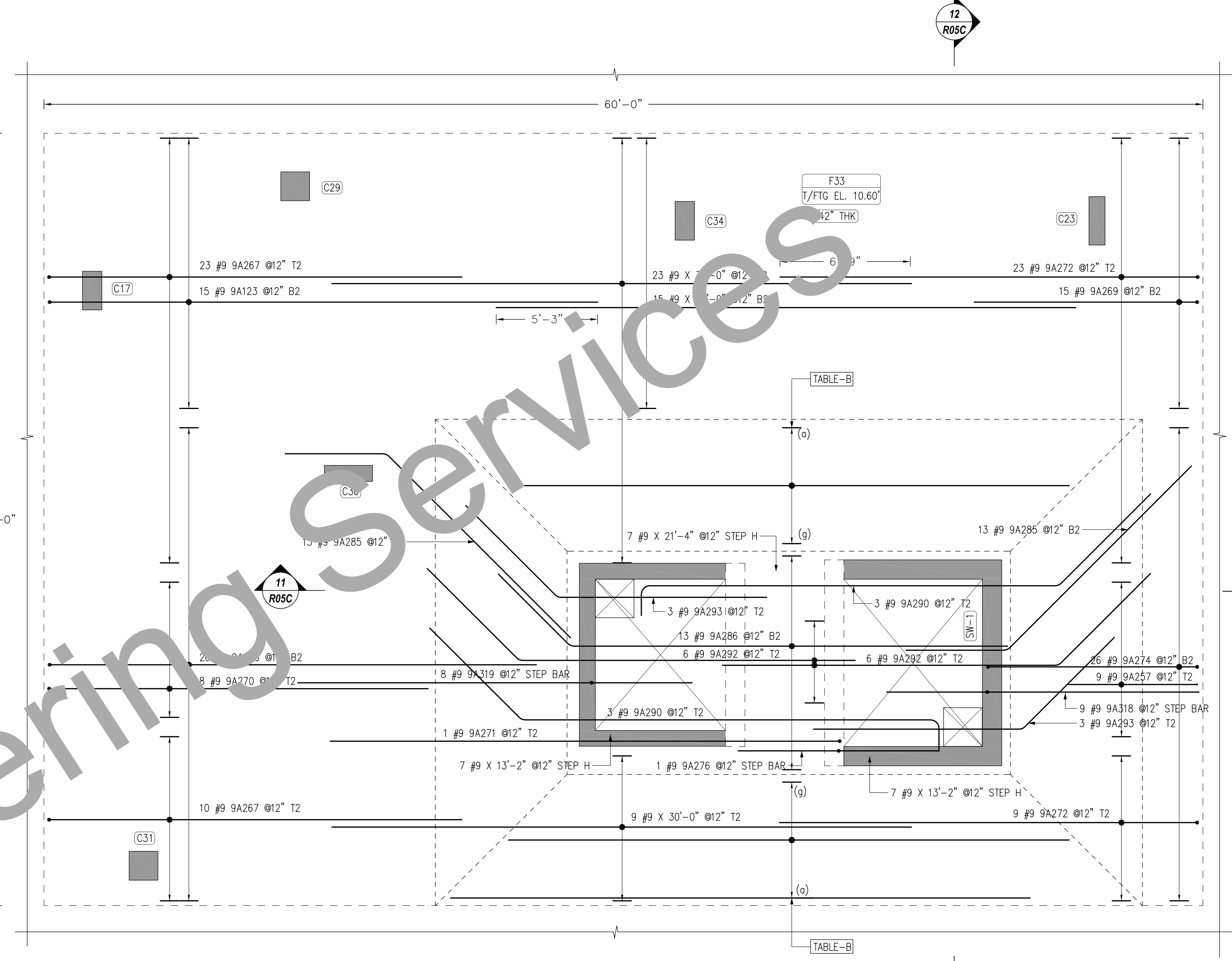
REFERENCE DRAWINGS

FOR REBAR DETAIL OF WALL FOUNDATION AND DOWELS BARS REFER DRAWING #R01
 FOR REBAR DETAIL OF WALL FOUNDATION AND DOWELS BARS REFER DRAWING #R02
 FOR REBAR DETAIL OF SPREAD FOOTING AND MAT FOUNDATION TOP&BOTTOM REFER DRAWING #R03
 FOR REBAR DETAIL OF DETAIL-C ELEVATOR MAT FOUNDATION TOP&BOTTOM REFER DRAWING #R04
 FOR REBAR DETAIL OF DETAIL-A MAT FOUNDATION TOP & BOTTOM REFER DRAWING #R05A
 FOR REBAR DETAIL OF DETAIL-A MAT FOUNDATION TOP & BOTTOM ADDITIONAL REFER DRAWING #R05B
 FOR REBAR DETAIL OF DETAIL-A MAT FOUNDATION TOP & BOTTOM SECTION REFER DRAWING #R05C
 FOR REBAR DETAIL OF DETAIL-B MAT FOUNDATION TOP & BOTTOM REFER DRAWING #R05D
 FOR REBAR DETAIL OF DETAIL-B MAT FOUNDATION TOP & BOTTOM ADDITIONAL REFER DRAWING #R05E
 FOR REBAR DETAIL OF DETAIL-B MAT FOUNDATION TOP & BOTTOM SECTION REFER DRAWING #R05F

REINFORCING STEEL PLACING DRAWING ONLY. USE IN CONJUNCTION WITH CONTRACT DRAWINGS & SPECIFICATIONS. ELEVATIONS & DIMENSIONS SHOWN ON DRAWINGS ARE FOR DETAILING PURPOSES ONLY AND SHOULD NOT BE USED FOR CONSTRUCTION UNLESS VERIFIED BY ENGINEER OR CONTRACTOR.



DETAIL-A
MAT FOUNDATION TOP & BOTTOM SHORTWAY BARS
SCALE: 1/4"=1'-0"
SDR: FO-001.00, FO-101.00 & FO-102.00, FO-201.00 & FO-202.00.



DETAIL-A
MAT FOUNDATION TOP & BOTTOM LONGWAY BARS
SCALE: 1/4"=1'-0"
SDR: FO-001.00, FO-101.00 & FO-102.00, FO-201.00 & FO-202.00.

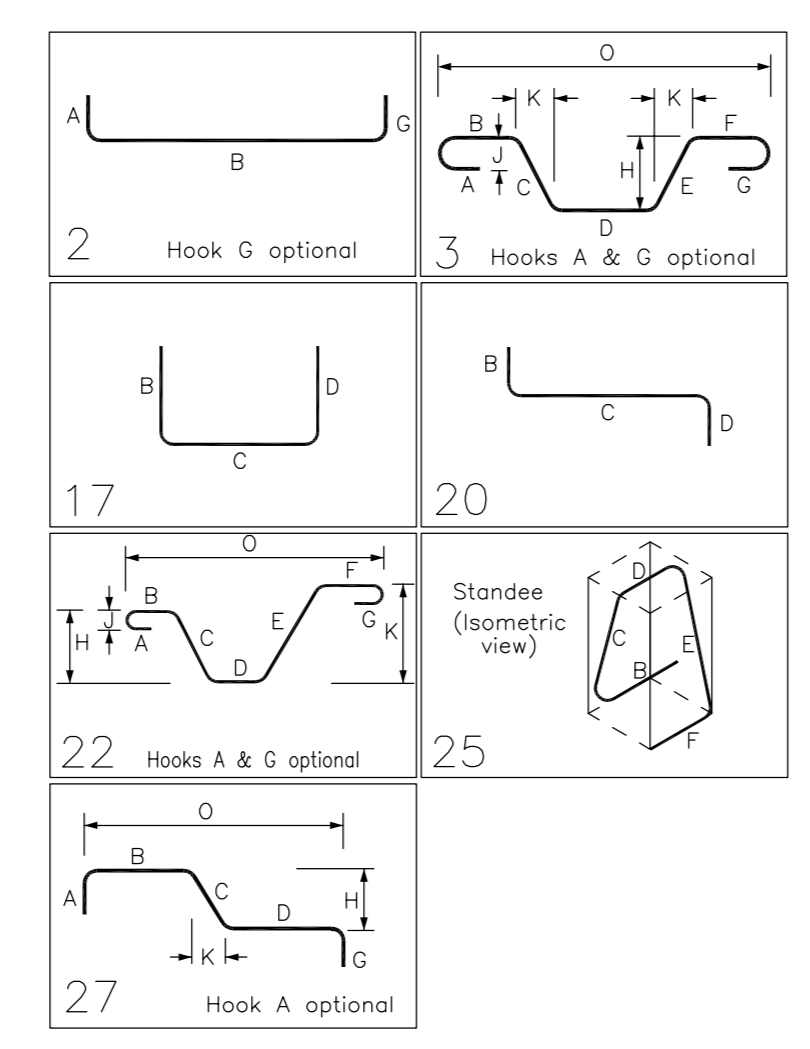
TABLE-A (2 LOCATIONS)

2x1 #10 X 24'-3" #12" B1 (a)
2x1 #10 X 22'-3" #12" B1
2x1 #10 X 20'-3" #12" B1
2x1 #10 X 18'-3" #12" B1
2x1 #10 X 16'-3" #12" B1
2x1 #10 X 14'-3" #12" B1 (g)
2x1 #10 X 12'-3" #12" B1 (g)

TABLE-B (2 LOCATIONS)

2x3x1 #9 X 30'-0" #12" B2 (a)
WITH CONT
2x1 #9 X 10'-3" #12" B2
FROM LAP
2x1 #9 X 8'-3" #12" B2
FROM LAP
2x1 #9 X 6'-3" #12" B2
FROM LAP
2x1 #9 X 29'-0" #12" B2
2x1 #9 X 27'-0" #12" B2
2x1 #9 X 25'-0" #12" B2
2x1 #9 X 23'-0" #12" B2 (g)

Release Number	BAR	Qty	Size	Total Length	Layer	X	Y	Z	W	V	U	T	S	R	Q	P	O	N	M	L	K	J	I	H	G	F	E	D	C	B	A
9A06	123	85	5	9'-4"	25			1'-6"	2'-9"	0'-10"	2'-9"	1'-6"		2'-8"																	
9A123	15	8	9	30'-0"	2	1'-7"	28'-5"																								
9A254	61	8	9	15'-3"	2	1'-7"	11'-8"																								
9A255	20	8	9	15'-9"	2	1'-7"	14'-2"																								
9A257	29	8	9	6'-4"	2	1'-7"	6'-9"																								
9A260	17	8	9	25'-11"	22			5'-7"	16'-9"	7'-1"				4'-0"																	
9A261	3	8	9	17'-9"	3			6'-9"	11'-0"	7'-10"				5'-5"																	
9A263	3	8	9	19'-7"	27			7'-7"	10'-5"					5'-5"																	
9A264	3	8	9	17'-7"	3			6'-9"	10'-9"	7'-8"				5'-5"																	
9A265	3	8	9	17'-9"	3			6'-9"	10'-9"	7'-8"				5'-5"																	
9A266	29	8	9	26'-10"	2	1'-7"	25'-1"							1'-7"																	
9A267	13	8	9	25'-0"	2	1'-7"	21'-5"																								
9A268	15	8	9	15'-2"	2	1'-7"	11'-7"																								
9A270	8	8	9	21'-3"	2	1'-7"	18'-8"																								
9A271	1	8	9	28'-0"	2	1'-7"	26'-5"																								
9A272	33	8	9	23'-7"	2	1'-7"	21'-8"																								
9A274	29	8	9	14'-1"	2	1'-7"	10'-11"																								
9A276	1	8	9	20'-0"	20			5'-3"	9'-6"	5'-3"																					
9A285	26	8	9	18'-8"	3			5'-3"	13'-5"					9'-7"																	
9A286	13	8	9	27'-11"	3			22'-7"	5'-3"					3'-8"																	
9A289	6	8	9	26'-11"	27			6'-8"		21'-8"				4'-10"																	
9A292	12	8	9	24'-11"	3			17'-5"	6'-8"					4'-10"																	
9A293	6	8	9	17'-6"	3			10'-10"	6'-8"					4'-10"																	
9A315	20	8	9	10'-0"	20			10'-0"	9'-8"	5'-4"																					
9A316	7	8	9	22'-8"	20			5'-3"	9'-8"	7'-9"																					
9A317	13	8	9	23'-4"	20			5'-3"	9'-6"	8'-7"																					
9A318	8	8	9	25'-0"	20			4'-3"	9'-6"	17'-0"																					
9A319	8	8	9	32'-0"	20			5'-3"	9'-4"	15'-3"																					
9A337	28	8	9	10'-6"	17			5'-3"	5'-3"																						
10A252	61	8	10	22'-4"	2	1'-10"	20'-6"																								
10A253	24	8	10	27'-0"	2	1'-10"	25'-2"																								
10A258	24	8	10	28'-11"	3			9'-3"	3'-4"	11'-4"				6'-8"																	
10A259	24	8	10	28'-4"	3			5'-11"	15'-4"					9'-8"																	
10A262	28	8	10	11'-10"	17			5'-11"	5'-11"																						
10A338	20	8	10	9'-2"	3			5'-3"	5'-11"					4'-3"																	



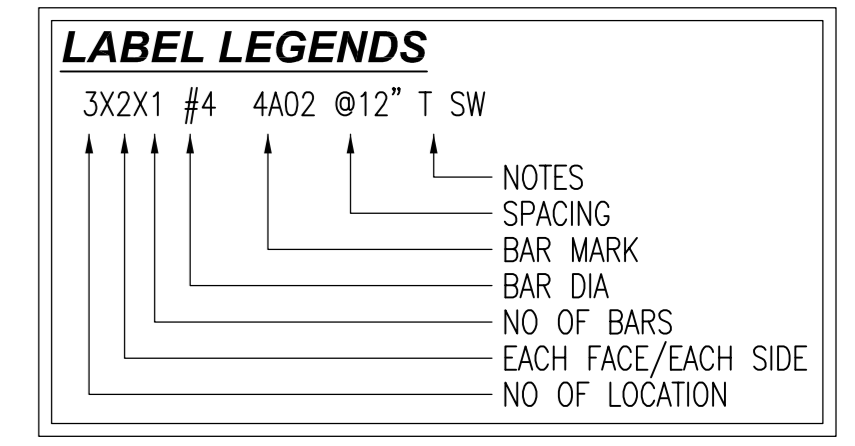
FOR APPROVAL

LAP NOTES:
LAP VALUES AS PER SHEET NO. FO-002.00

CLASS B LAP 5000 PSI FOR SLAB

SIZE	TOP	OTHERS
#3	22"	17"
#4	29"	22"
#5	36"	28"
#6	54"	42"
#7	63"	49"
#8	72"	56"
#9	81"	63"
#10	92"	71"
#11	127"	98"

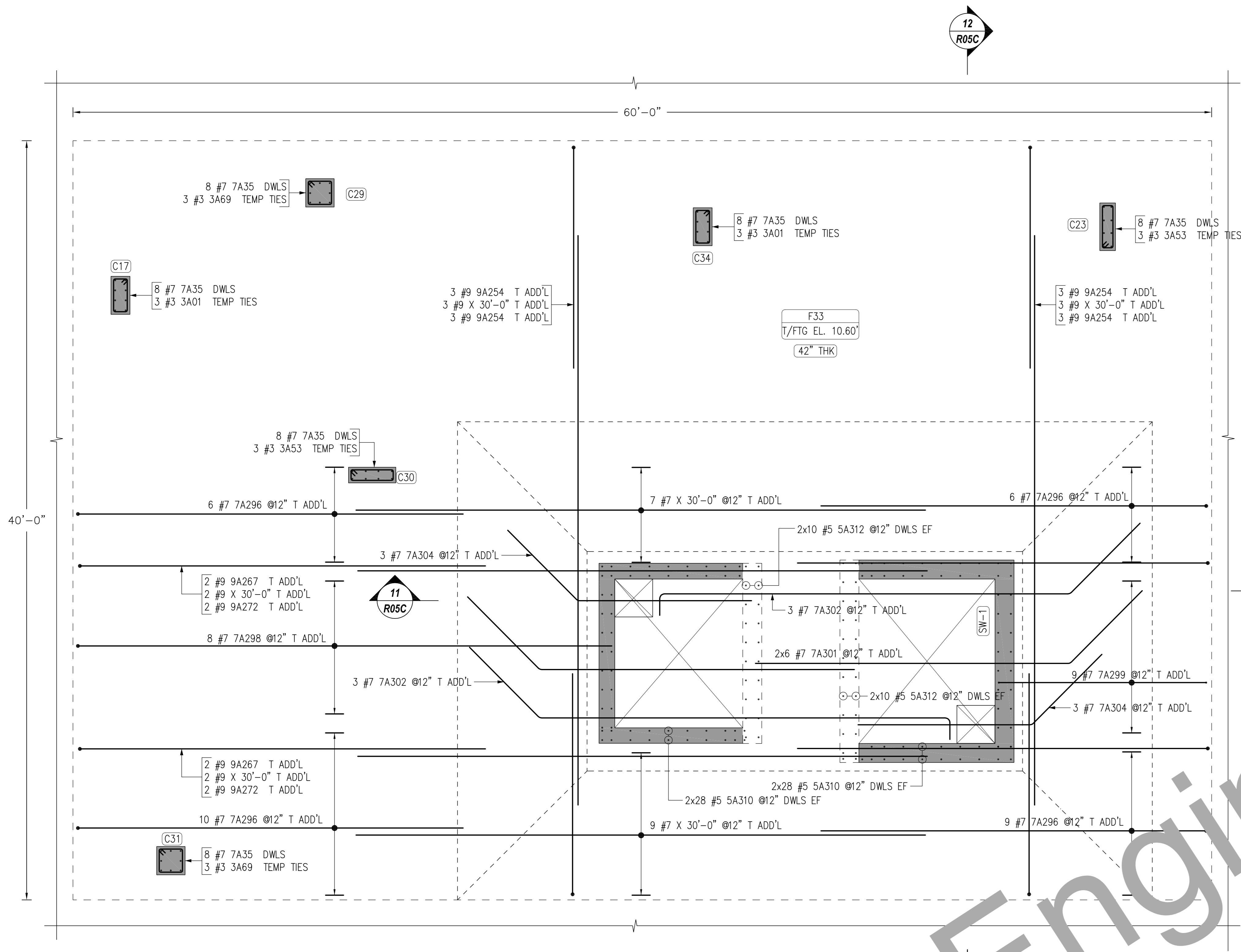
- NOTES:
- TOP OF SLAB LEVEL REFER PLAN
 - TOP OF FOUNDATION LEVEL REFER PLAN
 - COVER DETAILS:
FOR FTG: BOT = 3", TOP = 2" & SIDES = 3"
 - STOCK LENGTH USED IS 30'-0"



REFERENCE DRAWINGS

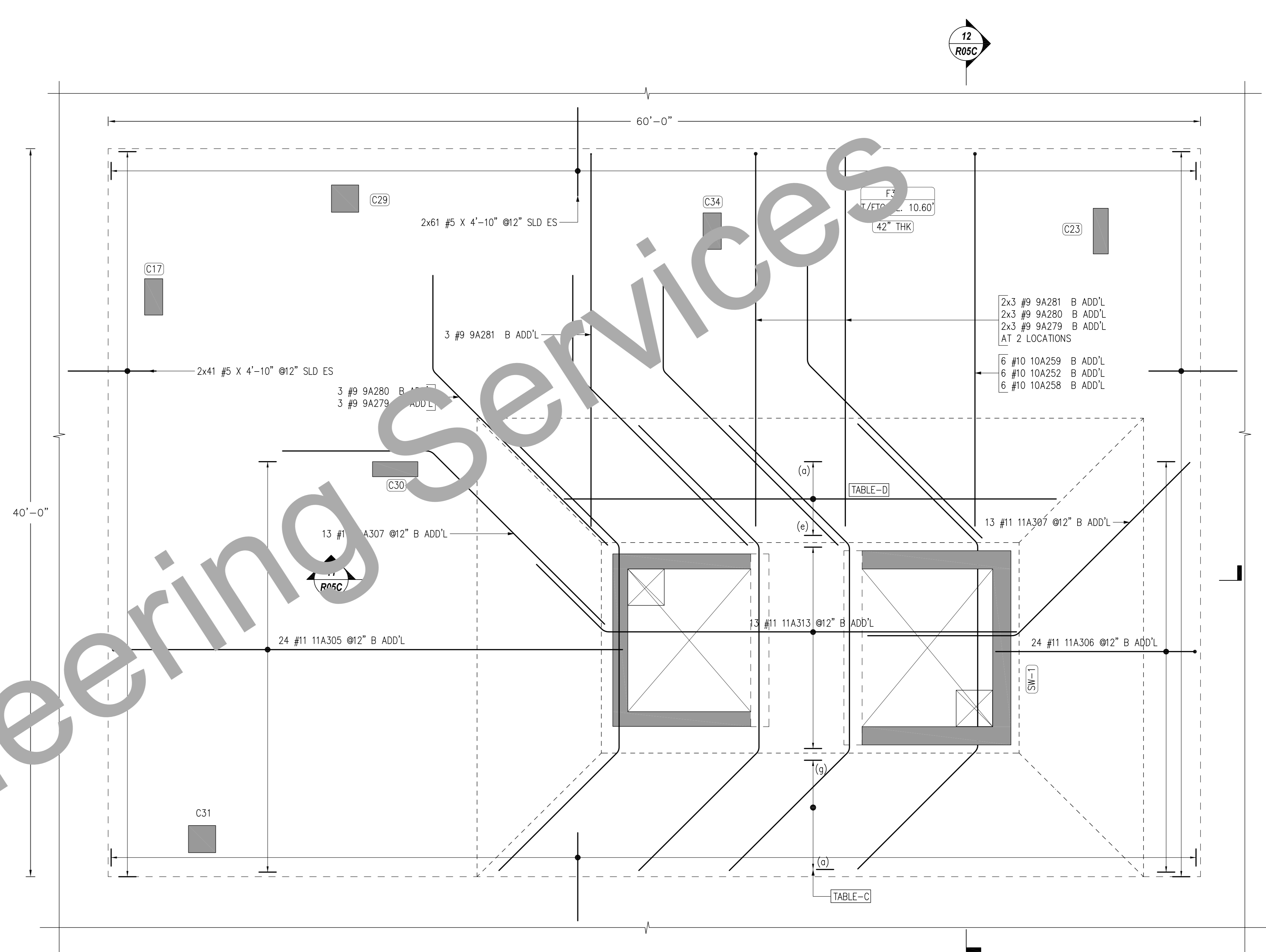
- FOR REBAR DETAIL OF WALL FOUNDATION AND DOWELS BARS REFER DRAWING #R01
- FOR REBAR DETAIL OF WALL FOUNDATION AND DOWELS BARS REFER DRAWING #R02
- FOR REBAR DETAIL OF SPREAD FOOTING AND MAT FOUNDATION REFER DRAWING #R03
- FOR REBAR DETAIL OF DETAIL-C ELEVATOR MAT FOUNDATION TOP&BOTTOM REFER DRAWING #R04
- FOR REBAR DETAIL OF MAT FOUNDATION SECTION DETAILS REFER DRAWING #R05
- FOR REBAR DETAIL OF DETAIL-A MAT FOUNDATION TOP & BOTTOM ADDITIONAL REFER DRAWING #R06
- FOR REBAR DETAIL OF DETAIL-A MAT FOUNDATION TOP & BOTTOM SECTION REFER DRAWING #R06C
- FOR REBAR DETAIL OF DETAIL-B MAT FOUNDATION TOP & BOTTOM REFER DRAWING #R06D
- FOR REBAR DETAIL OF DETAIL-B MAT FOUNDATION TOP & BOTTOM ADDITIONAL REFER DRAWING #R06E
- FOR REBAR DETAIL OF DETAIL-B MAT FOUNDATION TOP & BOTTOM SECTION REFER DRAWING #R06F

REINFORCING STEEL PLACING DRAWING ONLY. USE IN CONJUNCTION WITH CONTRACT DRAWINGS & SPECIFICATIONS. ELEVATIONS & DIMENSIONS SHOWN ON DRAWINGS ARE FOR DETAILING PURPOSES ONLY AND SHOULD NOT BE USED FOR CONSTRUCTION UNLESS VERIFIED BY ENGINEER OR CONTRACTOR.



DETAIL-A
MAT FOUNDATION TOP ADDITIONAL BARS
SCALE: 1/4"=1'-0"
SDR: FO-001.00, FO-101.00 & FO-201.00 & FO-202.00.

ENGR PLEASE VERIFY THE BAR ARRANGEMENT WE PROVIDED (TYP.)



DETAIL-A
MAT FOUNDATION BOTTOM ADDITIONAL BARS
SCALE: 1/4"=1'-0"
SDR: FO-001.00, FO-101.00 & FO-201.00 & FO-202.00.

TABLE-C

3x1 #11 X 30'-0" @12" B ADD'L (a)
WITH CONT
1 #11 X 13'-3" @12" B ADD'L FROM LAP
1 #11 X 11'-3" @12" B ADD'L FROM LAP
1 #11 X 9'-3" @12" B ADD'L FROM LAP
1 #11 X 29'-0" @12" B ADD'L
1 #11 X 27'-0" @12" B ADD'L
1 #11 X 25'-0" @12" B ADD'L
1 #11 X 23'-0" @12" B ADD'L (a)

TABLE-D

1 #11 X 30'-0" @12" B ADD'L (a)
WITH CONT
1 #11 X 9'-3" @12" B ADD'L FROM LAP
1 #11 X 29'-0" @12" B ADD'L
1 #11 X 27'-0" @12" B ADD'L
1 #11 X 25'-0" @12" B ADD'L
1 #11 X 23'-0" @12" B ADD'L (a)

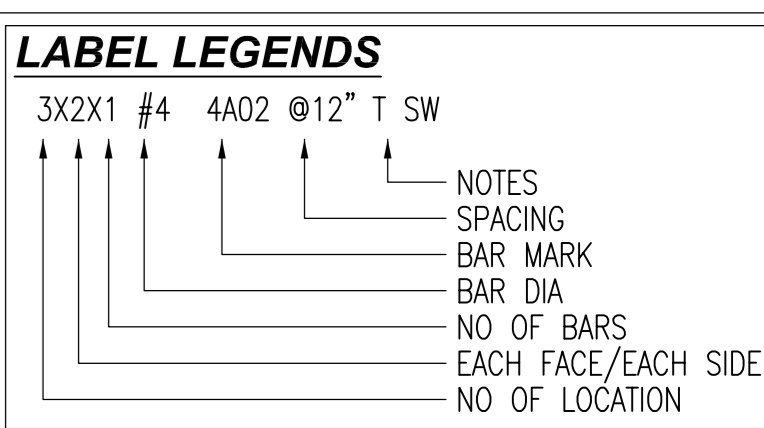
LAP NOTES:
LAP VALUES AS PER SHEET NO. FO-002.00

CLASS B LAP 5000 PSI FOR SLAB

SIZE	TOP	OTHERS
#3	22"	17"
#4	29"	22"
#5	36"	28"
#6	54"	42"
#7	63"	49"
#8	72"	56"
#9	81"	63"
#10	92"	71"
#11	127"	98"

FOR APPROVAL

- NOTES:**
- TOP OF SLAB LEVEL REFER PLAN
 - TOP OF FOUNDATION LEVEL REFER PLAN
 - COVER DETAILS:
FOR FTG: BOT = 3", TOP = 2" & SIDES = 3"
 - STOCK LENGTH USED IS 30'-0"

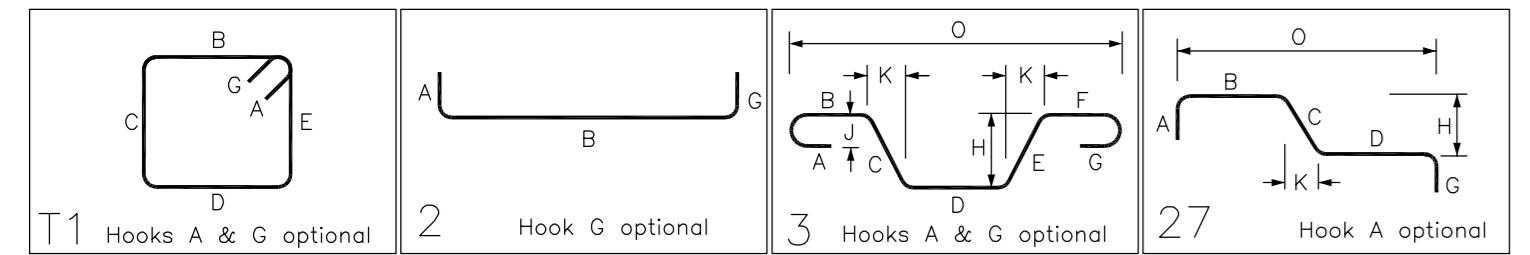


REFERENCE DRAWINGS

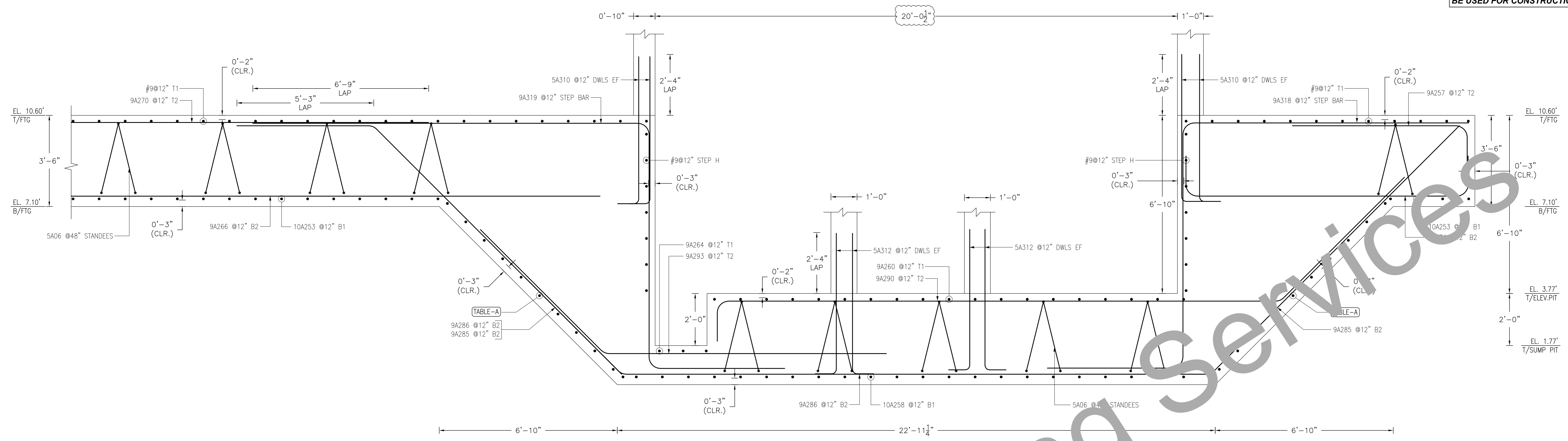
- FOR REBAR DETAIL OF WALL FOUNDATION AND DOWELS BARS REFER DRAWING #R01
- FOR REBAR DETAIL OF WALL FOUNDATION AND DOWELS BARS REFER DRAWING #R02
- FOR REBAR DETAIL OF SPREAD FOOTING AND MAT FOUNDATION REFER DRAWING #R03
- FOR REBAR DETAIL OF DETAIL-C ELEVATOR MAT FOUNDATION TOP/BOTTOM REFER DRAWING #R04
- FOR REBAR DETAIL OF MAT FOUNDATION SECTION DETAILS REFER DRAWING #R05
- FOR REBAR DETAIL OF DETAIL-A MAT FOUNDATION TOP & BOTTOM REFER DRAWING #R05A
- FOR REBAR DETAIL OF DETAIL-A MAT FOUNDATION TOP & BOTTOM SECTION REFER DRAWING #R05C
- FOR REBAR DETAIL OF DETAIL-B MAT FOUNDATION TOP & BOTTOM REFER DRAWING #R05D
- FOR REBAR DETAIL OF DETAIL-B MAT FOUNDATION TOP & BOTTOM ADDITIONAL REFER DRAWING #R05E
- FOR REBAR DETAIL OF DETAIL-B MAT FOUNDATION TOP & BOTTOM SECTION REFER DRAWING #R05F

Release Number: R05B

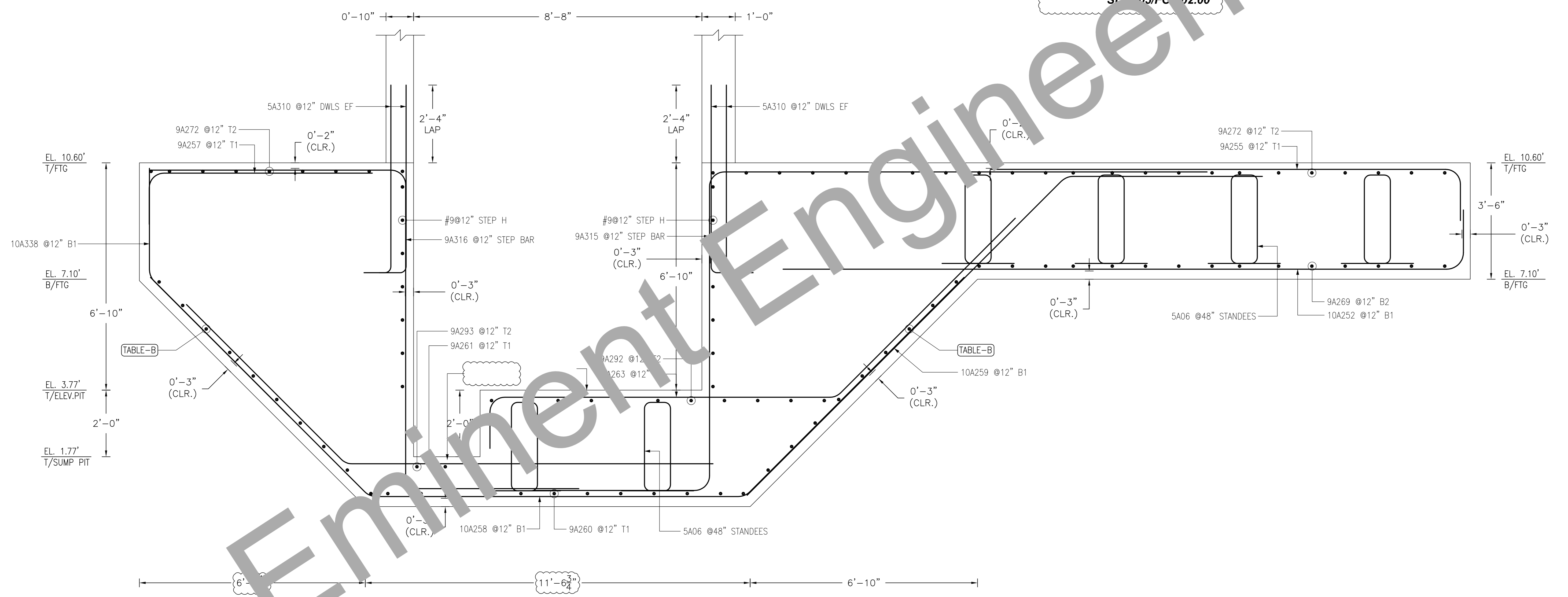
Bar Mark	Qty	Size	Total Length	Type	X	Y	Z	W	V	U	T	S	R	Q	P	O	N	M	L	K	J	I	H	G	F	E	D	C	B	A
3A01	6	#3	5'-8 1/2"	T1	0'-4 1/4"	0'-4"	1'-5"	0'-9"	0'-9"	0'-4 1/4"																				
3A69	6	#3	6'-4 1/2"	T1	0'-4 1/4"	0'-7"	2'-5"	0'-7"	2'-5"	0'-4 1/4"																				
5A310	110	#5	6'-8"	2	0'-10"	5'-8"																								
5A312	40	#5	6'-5"	2	0'-10"	5'-5"																								
7A05	40	#7	8'-8"	2	1'-2"	7'-4"																								
7A296	31	#7	21'-6"	2	1'-2"	20'-4"																								
7A298	8	#7	25'-4"	2	1'-2"	24'-2"																								
7A299	8	#7	15'-4"	2	1'-2"	14'-2"																								
7A301	12	#7	21'-11 1/2"	3	16'-7"	5'-4 1/2"																								
7A302	6	#7	28'-0 1/2"	2		5'-2 1/2"	21'-8"																							
7A304	6	#7	14'-4 1/2"	3		5'-2 1/2"																								
9A254	12	#9	12'-5"	2	1'-2"	11'-3"																								
9A267	4	#9	23'-0"	2	1'-2"	21'-8"																								
9A272	4	#9	23'-0"	2	1'-2"	21'-8"																								
9A279	8	#9	25'-3"	2	1'-2"	24'-1"																								
9A296	8	#9	25'-11 1/2"	3		9'-3 1/2"	11'-4"	9'-3 1/2"																						
9A298	8	#9	18'-9 1/2"	3		5'-3"	13'-6 1/2"																							
9A299	4	#9	22'-7"	2	1'-2"	20'-5"																								
10A252	6	#10	22'-4"	2	1'-10"	20'-4"																								
10A256	6	#10	29'-11 1/2"	3		9'-3 1/2"	11'-4"	9'-3 1/2"																						
10A259	6	#10	19'-5 1/2"	3		5'-11"	13'-6 1/2"																							
11A305	24	#11	35'-0"	2	2'-0"	28'-0"																								
11A306	24	#11	15'-0"	2	2'-0"	11'-0"																								
11A307	26	#11	21'-2 1/2"	3		8'-2"	13'-5 1/2"																							
11A313	13	#11	27'-11"	3		22'-7 1/2"	5'-3 1/2"																							



REINFORCING STEEL PLACING DRAWING ONLY. USE IN CONJUNCTION WITH CONTRACT DRAWINGS & SPECIFICATIONS. ELEVATIONS & DIMENSIONS SHOWN ON DRAWING ARE FOR DETAILING PURPOSES ONLY AND SHOULD NOT BE USED FOR CONSTRUCTION UNLESS VERIFIED BY ENGINEER OR CONTRACTOR.



11 SECTION
1/2"=1'-0"
SDR: 05/FO-02.00



12 SECTION
1/2"=1'-0"
SDR: 06/FO-201.00

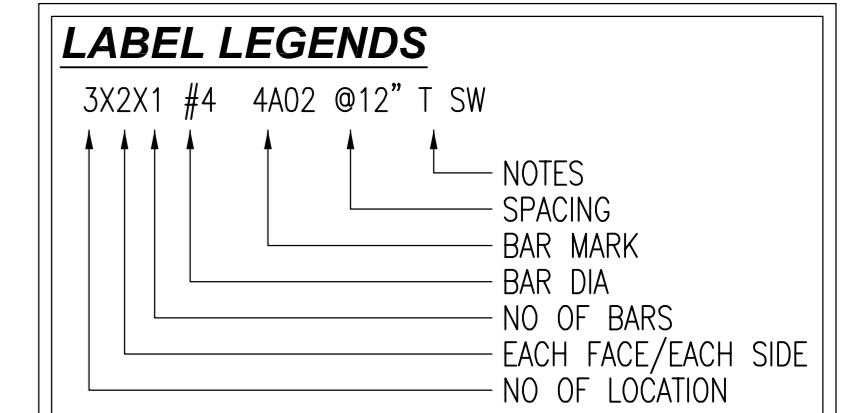
ENGR PLEASE VERIFY THE BAR ARRANGEMENT WE PROVIDED (TYP.)

FOR APPROVAL

LAP NOTES:
LAP VALUES AS PER SHEET NO. FO-002.00

CLASS B LAP 5000 PSI FOR SLAB		
SIZE	TOP	OTHERS
#3	22"	17"
#4	29"	22"
#5	36"	28"
#6	54"	42"
#7	63"	49"
#8	72"	56"
#9	81"	63"
#10	92"	71"
#11	127"	98"

- NOTES:**
1. TOP OF SLAB LEVEL REFER PLAN
 2. TOP OF FOUNDATION LEVEL REFER PLAN
 3. COVER DETAILS:
FOR FTG: BOT = 3", TOP = 2" & SIDES = 3"
 4. STOCK LENGTH USED IS 30'-0"



REFERENCE DRAWINGS

- FOR REBAR DETAIL OF WALL FOUNDATION AND DOWELS BARS REFER DRAWING #R01
- FOR REBAR DETAIL OF WALL FOUNDATION AND DOWELS BARS REFER DRAWING #R02
- FOR REBAR DETAIL OF SPREAD FOOTING AND MAT FOUNDATION REFER DRAWING #R03
- FOR REBAR DETAIL OF DETAIL-C ELEVATOR MAT FOUNDATION TOP&BOTTOM REFER DRAWING #R04
- FOR REBAR DETAIL OF MAT FOUNDATION SECTION DETAILS REFER DRAWING #R05
- FOR REBAR DETAIL OF DETAIL-A MAT FOUNDATION TOP & BOTTOM REFER DRAWING #R05A
- FOR REBAR DETAIL OF DETAIL-A MAT FOUNDATION TOP & BOTTOM ADDITIONAL REFER DRAWING #R05B
- FOR REBAR DETAIL OF DETAIL-B MAT FOUNDATION TOP & BOTTOM REFER DRAWING #R05D
- FOR REBAR DETAIL OF DETAIL-B MAT FOUNDATION TOP & BOTTOM ADDITIONAL REFER DRAWING #R05E
- FOR REBAR DETAIL OF DETAIL-B MAT FOUNDATION TOP & BOTTOM SECTION REFER DRAWING #R05F

REINFORCING STEEL PLACING DRAWING ONLY. USE IN CONJUNCTION WITH CONTRACT DRAWINGS & SPECIFICATIONS. ELEVATIONS & DIMENSIONS SHOWN ON DRAWING ARE FOR DETAILING PURPOSES ONLY AND SHOULD NOT BE USED FOR CONSTRUCTION UNLESS VERIFIED BY ENGINEER OR CONTRACTOR.

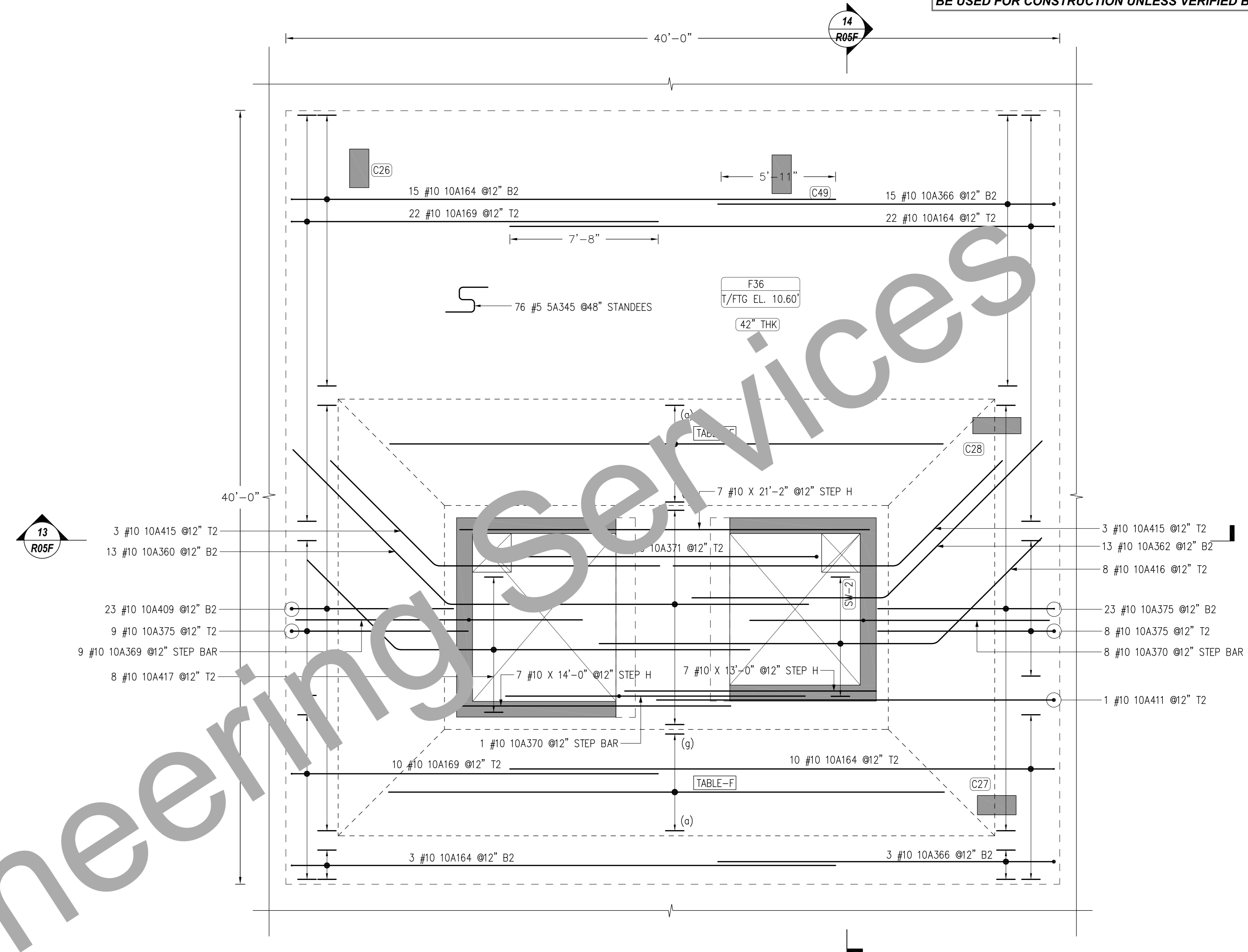
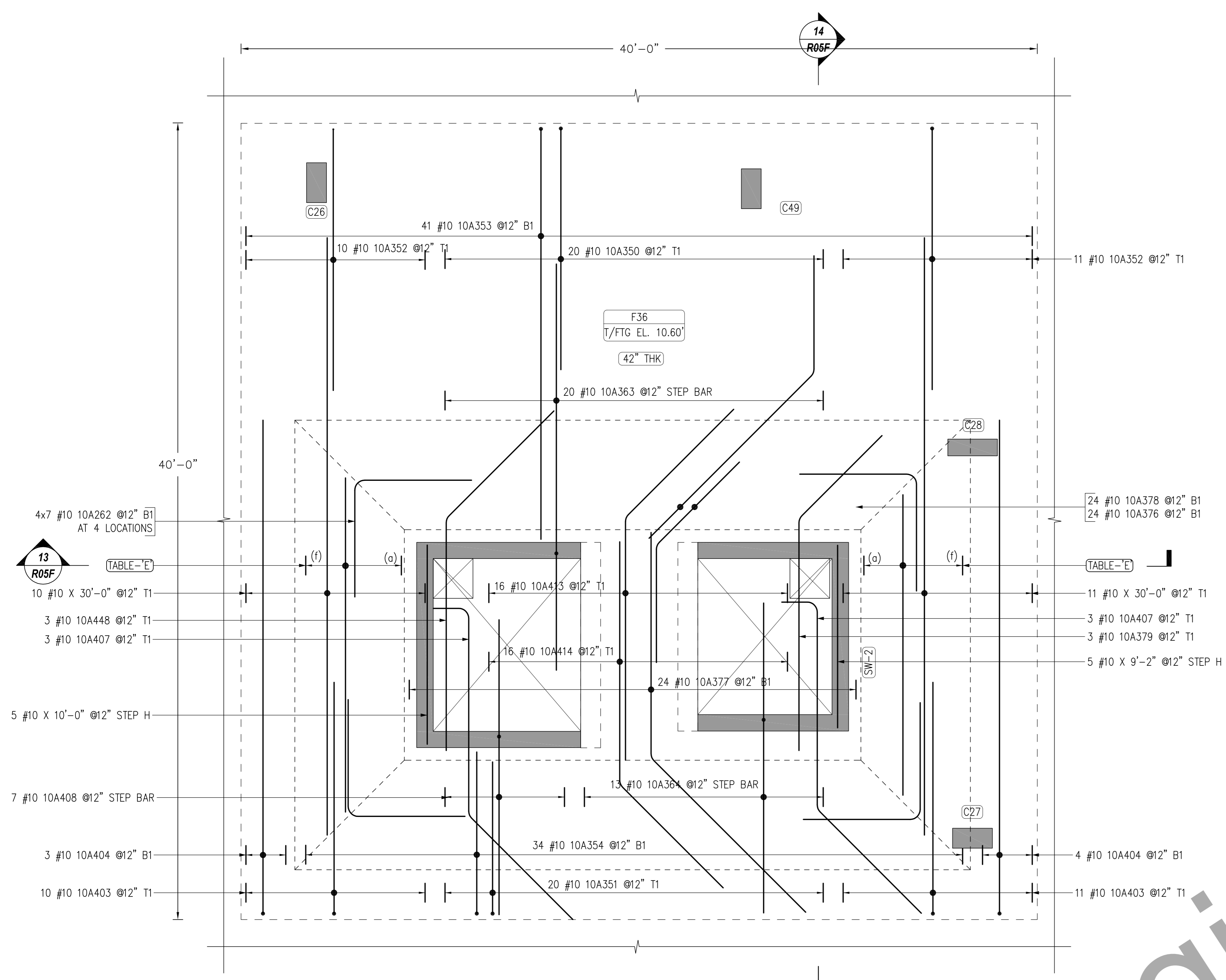


TABLE-E (2 LOCATIONS)

2x1 #10 X 10'-9" @12" B1 (a)
2x1 #10 X 12'-9" @12" B1
2x1 #10 X 14'-9" @12" B1
2x1 #10 X 16'-9" @12" B1
2x1 #10 X 18'-9" @12" B1
2x1 #10 X 20'-9" @12" B1 (f)

DETAIL-B
MAT FOUNDATION TOP & BOTTOM BARS
SCALE: 1/4"=1'-0"
SDR: FO-001.00, FO-101.00 & FO-102.00, FO-201.00 & FO-202.00.

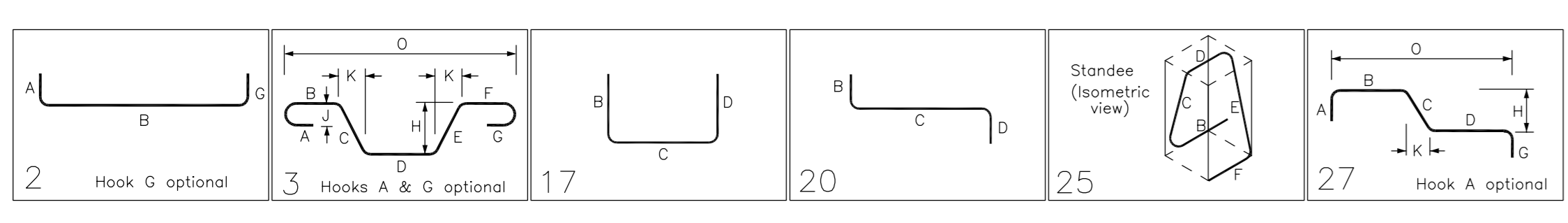
TABLE-F (2 LOCATIONS)

2x2 #10 X 30'-0" @12" B2 (a)
WITH CONT:
2x1 #10 X 8'-6" @12" B2
FROM LAP
2x1 #10 X 28'-7" @12" B2
2x1 #10 X 26'-7" @12" B2
2x1 #10 X 24'-7" @12" B2
2x1 #10 X 22'-7" @12" B2 (g)

DETAIL-B
MAT FOUNDATION TOP & BOTTOM BARS
SCALE: 1/4"=1'-0"
SDR: FO-001.00, FO-101.00 & FO-102.00, FO-201.00 & FO-202.00.

Release Number: R050

Bar Mark	Qty	Size	Total Length	Type	X	Y	Z	W	V	U	T	S	R	Q	P	O	N	M	L	K	J	I	H	G	F	E	D	C	B	A
10A164	50	#10	30'-0"	2	1'-10"	2'-8"	0'-10"	2'-8"	1'-6"																					
10A169	33	#10	20'-10"	2	1'-10"	19'-0"																								
10A262	28	#10	11'-10"	17	5'-11"	5'-11"																								
10A350	20	#10	14'-0"	2	1'-10"	12'-2"																								
10A351	20	#10	9'-6"	2	1'-10"	7'-8"																								
10A352	23	#10	15'-0"	2	1'-10"	13'-2"																								
10A353	41	#10	22'-4"	2	1'-10"	20'-8"																								
10A354	34	#10	16'-0"	2	1'-10"	8'-2"																								
10A360	13	#10	25'-11"	3	15'-8"	11'-3"																								
10A362	13	#10	21'-5"	3	15'-0"	11'-5"																								
10A363	20	#10	25'-10"	20	14'-9"	8'-4"	5'-11"																							
10A364	13	#10	24'-0"	20	8'-2"	8'-4"	5'-11"																							
10A366	18	#10	19'-3"	2	1'-10"	17'-5"																								
10A369	9	#10	23'-1"	20	9'-0"	8'-0"	5'-11"																							
10A370	9	#10	23'-9"	20	9'-8"	8'-2"	5'-11"																							
10A371	3	#10	19'-4"	2	1'-10"	15'-8"																								
10A375	40	#10	11'-0"	2	1'-10"	9'-2"																								
10A376	24	#10	11'-9"	3	5'-11"	5'-10"																								
10A377	24	#10	22'-3"	3	11'-4"	10'-11"																								
10A378	24	#10	17'-7"	3	5'-11"	11'-8"																								
10A379	3	#10	17'-6"	3	5'-11"	11'-7"																								
10A403	21	#10	13'-6"	2	1'-10"	11'-8"																								
10A404	7	#10	26'-5"	2	1'-10"	24'-10"																								
10A407	6	#10	19'-8"	27	9'-0"	7'-4"	10'-5"																							
10A408	7	#10	23'-3"	20	9'-0"	8'-4"	5'-11"																							
10A409	23	#10	16'-3"	2	1'-10"	8'-5"																								
10A411	1	#10	22'-5"	2	1'-10"	20'-7"																								
10A413	16	#10	19'-10"	3	12'-2"	7'-8"																								
10A414	16	#10	19'-4"	3	12'-2"	7'-4"																								
10A415	6	#10	19'-3"	3	11'-7"	7'-8"																								
10A416	8	#10	25'-1"	3	17'-5"	7'-8"																								
10A417	8	#10	24'-10"	3	18'-3"	6'-7"																								
10A448	3	#10	19'-3"	3	7'-8"	11'-7"																								

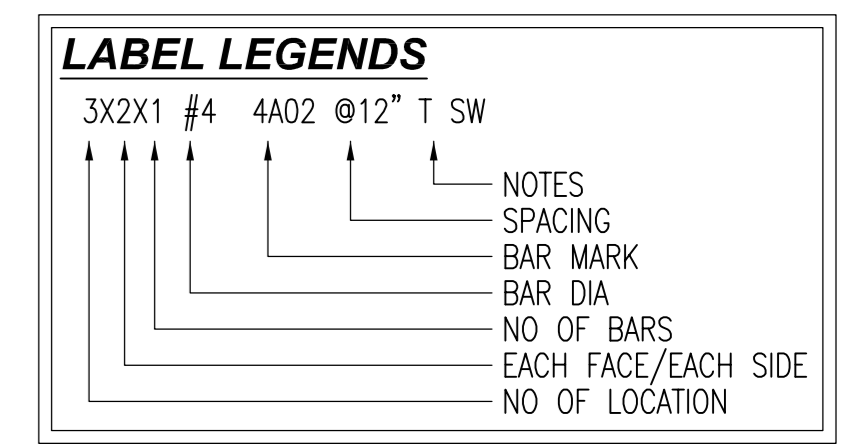


LAP NOTES:
LAP VALUES AS PER SHEET NO. FO-002.00

CLASS B LAP 5000 PSI FOR SLAB	TOP	OTHERS
#3	22"	17"
#4	29"	22"
#5	36"	28"
#6	54"	42"
#7	63"	49"
#8	72"	56"
#9	81"	63"
#10	92"	71"
#11	127"	98"

FOR APPROVAL

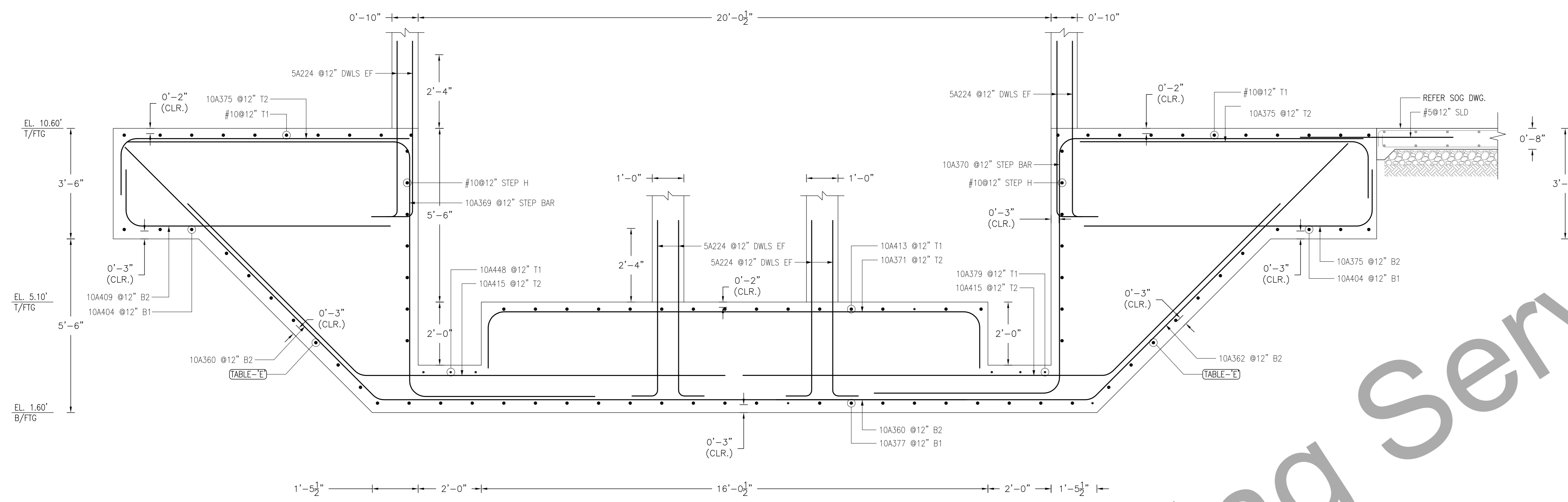
- NOTES:
- TOP OF SLAB LEVEL REFER PLAN
 - TOP OF FOUNDATION LEVEL REFER PLAN
 - COVER DETAILS:
FOR FTG: BOT = 3", TOP = 2" & SIDES = 3"
 - STOCK LENGTH USED IS 30'-0"



REFERENCE DRAWINGS

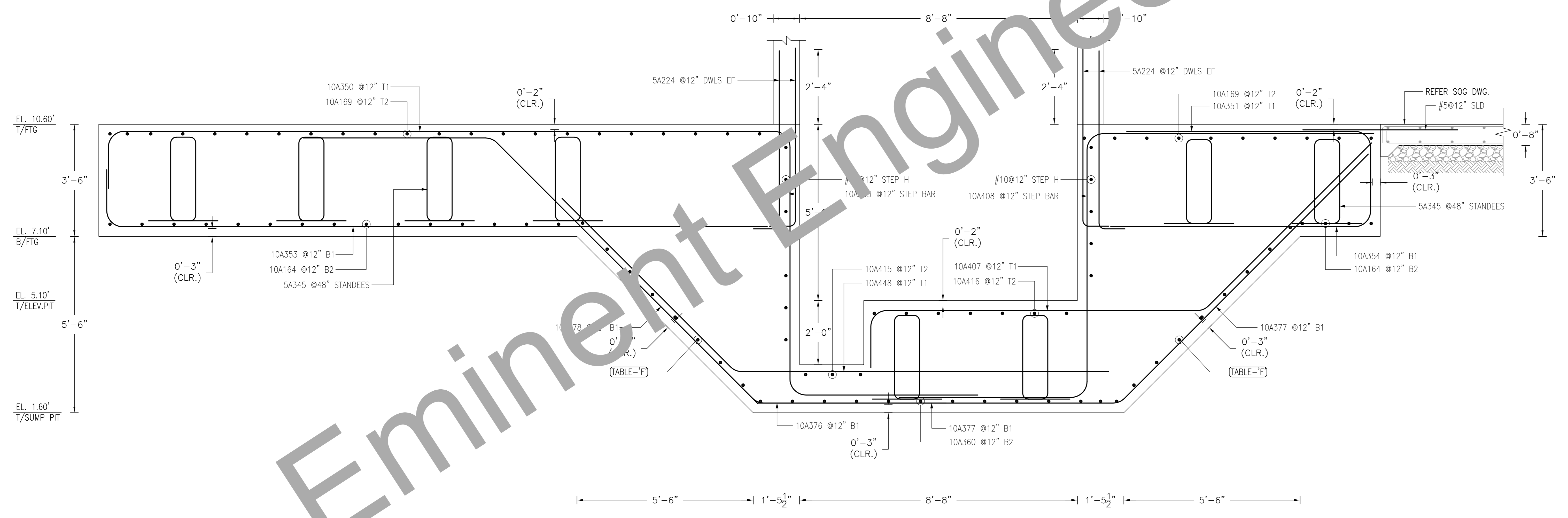
FOR REBAR DETAIL OF WALL FOUNDATION AND DOWELS BARS REFER DRAWING #R01
FOR REBAR DETAIL OF WALL FOUNDATION AND DOWELS BARS REFER DRAWING #R02
FOR REBAR DETAIL OF SPREAD FOOTING AND MAT FOUNDATION REFER DRAWING #R03
FOR REBAR DETAIL OF DETAIL-C ELEVATOR MAT FOUNDATION TOP/BOTTOM REFER DRAWING #R04
FOR REBAR DETAIL OF MAT FOUNDATION SECTION DETAILS REFER DRAWING #R05
FOR REBAR DETAIL OF DETAIL-A MAT FOUNDATION TOP & BOTTOM REFER DRAWING #R05A
FOR REBAR DETAIL OF DETAIL-A MAT FOUNDATION TOP & BOTTOM ADDITIONAL REFER DRAWING #R05B
FOR REBAR DETAIL OF DETAIL-A MAT FOUNDATION TOP & BOTTOM SECTION REFER DRAWING #R05C
FOR REBAR DETAIL OF DETAIL-B MAT FOUNDATION TOP & BOTTOM ADDITIONAL REFER DRAWING #R05D
FOR REBAR DETAIL OF DETAIL-B MAT FOUNDATION TOP & BOTTOM SECTION REFER DRAWING #R05E

REINFORCING STEEL PLACING DRAWING ONLY. USE IN CONJUNCTION WITH CONTRACT DRAWINGS & SPECIFICATIONS. ELEVATIONS & DIMENSIONS SHOWN ON DRAWINGS ARE FOR DETAILING PURPOSES ONLY AND SHOULD NOT BE USED FOR CONSTRUCTION UNLESS VERIFIED BY ENGINEER OR CONTRACTOR.



ENG'R PLEASE VERIFY THE BAR ARRANGEMENT WE PROVIDED (TYP.)

13 SECTION
 1/2"=1'-0"
 SDR: 05/FO-202.00



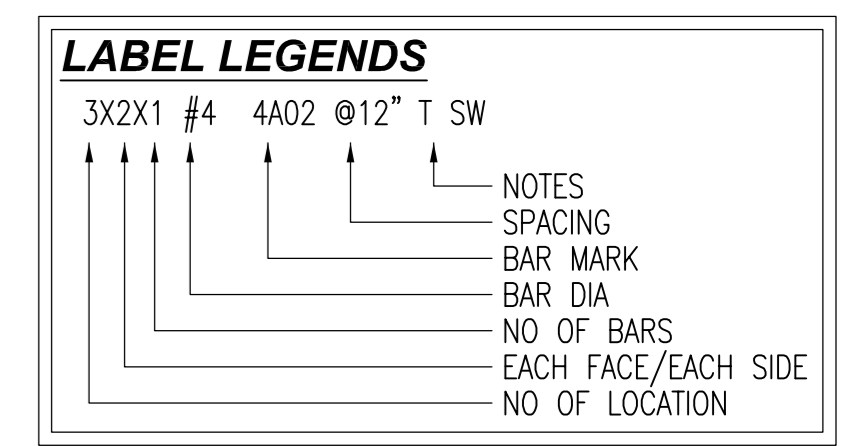
14 SECTION
 1/2"=1'-0"
 SDR: 05/FO-202.00

FOR APPROVAL

LAP NOTES:
 LAP VALUES AS PER SHEET NO. FO-002.00

CLASS B LAP 5000 PSI FOR SLAB		
SIZE	TOP	OTHERS
#3	22"	17"
#4	29"	22"
#5	36"	28"
#6	54"	42"
#7	63"	49"
#8	72"	56"
#9	81"	63"
#10	92"	71"
#11	127"	98"

- NOTES:**
- TOP OF SLAB LEVEL REFER PLAN
 - TOP OF FOUNDATION LEVEL REFER PLAN
 - COVER DETAILS:
 FOR FTG: BOT = 3", TOP = 2" & SIDES = 3"
 4. STOCK LENGTH USED IS 30'-0"



REFERENCE DRAWINGS

- FOR REBAR DETAIL OF WALL FOUNDATION AND DOWELS BARS REFER DRAWING #R01
- FOR REBAR DETAIL OF WALL FOUNDATION AND DOWELS BARS REFER DRAWING #R02
- FOR REBAR DETAIL OF SPREAD FOOTING AND MAT FOUNDATION REFER DRAWING #R03
- FOR REBAR DETAIL OF DETAIL-C ELEVATOR MAT FOUNDATION TOP & BOTTOM REFER DRAWING #R04
- FOR REBAR DETAIL OF MAT FOUNDATION SECTION DETAILS REFER DRAWING #R05
- FOR REBAR DETAIL OF DETAIL-A MAT FOUNDATION TOP & BOTTOM REFER DRAWING #R05A
- FOR REBAR DETAIL OF DETAIL-A MAT FOUNDATION TOP & BOTTOM ADDITIONAL REFER DRAWING #R05B
- FOR REBAR DETAIL OF DETAIL-A MAT FOUNDATION TOP & BOTTOM SECTION REFER DRAWING #R05C
- FOR REBAR DETAIL OF DETAIL-B MAT FOUNDATION TOP & BOTTOM REFER DRAWING #R05D
- FOR REBAR DETAIL OF DETAIL-B MAT FOUNDATION TOP & BOTTOM ADDITIONAL REFER DRAWING #R05E